

Potter Roemer Portable Gravity-Fed Eyewash Station



Hallmann Sales, LLC

866-966-9596

info@hallmann-sales.com

www.Hallmann-Sales.com

Project: _____
Specification Reference: _____
Contractor: _____
Architect: _____
Date: _____

Specifications:

Model PR-S0P50 portable eyewash station shall include a polyethylene 18 gallon tank, nonmoving parts and can be wall mounted or placed on a countertop or other flat surface. Eyewash heads provide a minimum of 0.4 gpm flow rate for 15 minutes and include a yellow eyewash pull strap for ease of activation. Tank includes integral handles on the top and sides, wide fill opening with threaded cap, highly visible identification/operation label and inspection/maintenance label. Unit is supplied with a heavy duty stainless steel wall bracket and one bottle of water preservative to permit storage of water for up to six months.

Tank: Highly visible yellow, UV protected polyethylene tank, with no moving parts.

Eyewash: ABS plastic eyewash heads with easy activation removable pull strap will deliver a minimum water flow of 0.4 gpm [1.5 liters] for 15 minutes. Pull strap caps form an air tight seal which prevents dust and debris from collecting on the eyewash heads.

Mounting: A J-shaped heavy duty stainless steel wall bracket for wall mounting allows easy removal and remounting of the eyewash station. The eyewash station can also be placed on a countertop or other flat surface.

Drain hose: Supplied with three feet of 1/2" ID drain hose.

Labels: Highly visible high gloss identification/operation label and inspection/ maintenance label are fixed to the face of the tank.

Water preservative: One container of concentrated water preservative is supplied with each eyewash station to increase the storage life of the water.

Weekly inspection tag: A water resistant test card to record the date and inspector's name, for weekly inspection of the eyewash station.

Options:

PWP Potable Water Preservative (4) Pack



Potter Roemer Portable Gravity-Fed Eyewash Station

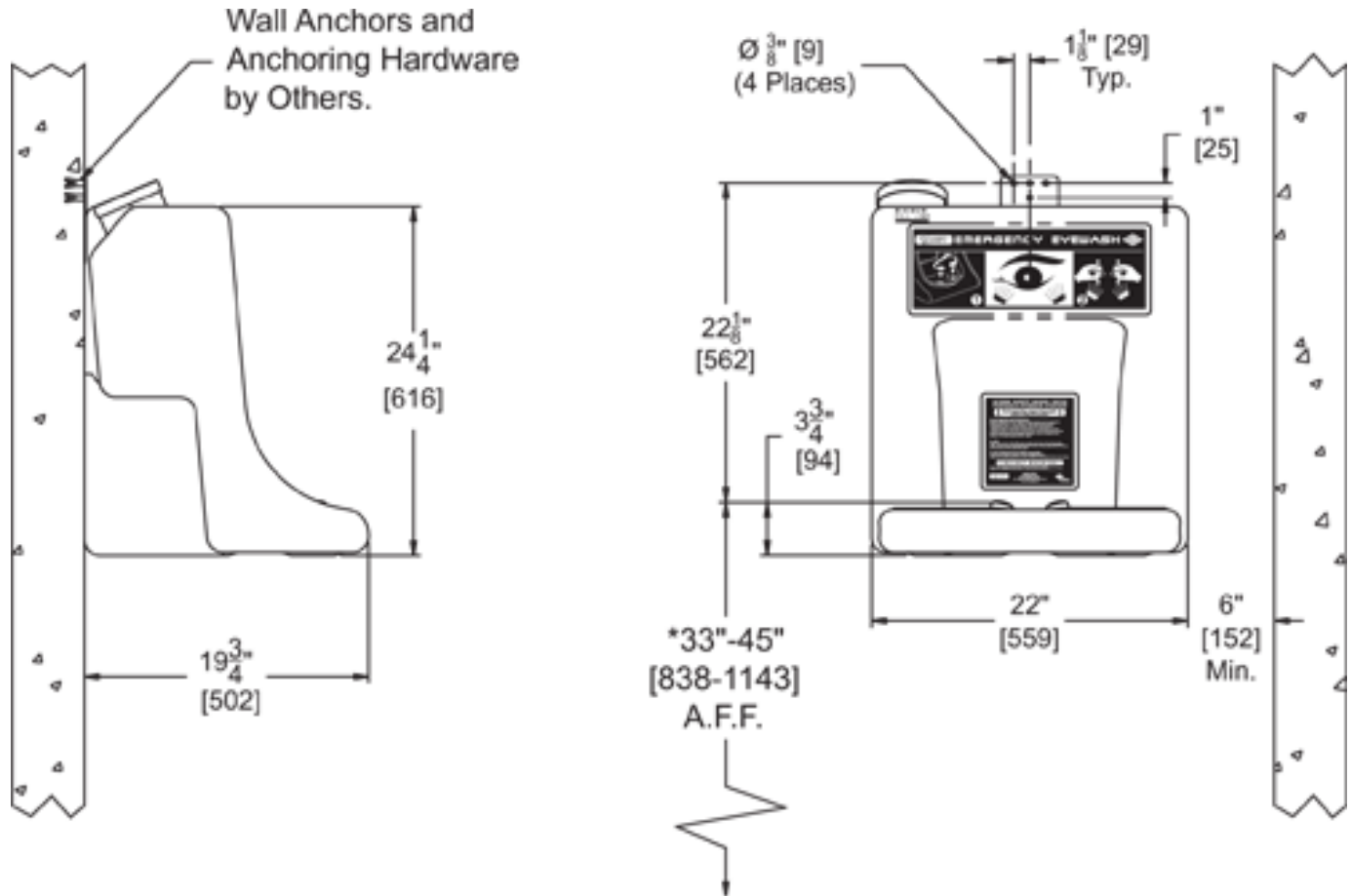


Hallmann Sales, LLC

866-966-9596

info@hallmann-sales.com

www.Hallmann-Sales.com



GENERAL NOTES:

1. ALL DIMENSIONS ARE IN INCHES [MM].
- *2. DIMENSIONS SHOWN ARE FOR NOMINAL ADULT HEIGHT. ANSI REQUIRES NOZZLE TO BE BETWEEN 33" [383] AND 45" [1143] ABOVE FINISHED FLOOR.
3. THE TANK CAN ALSO BE PLACED ON A COUNTERTOP OR OTHER FLAT SURFACE.