

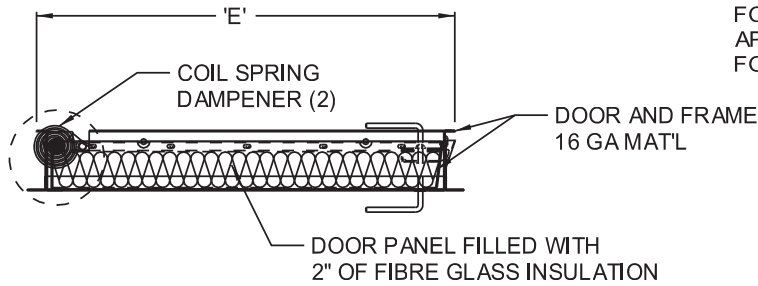


www.acudor.com  
 U.S.A.: info@acudor.com / 800.722.0501  
 CANADA: info@acudor.ca / 844.228.3671  
 INTERNATIONAL: info@acudorintl.com  
 (905) 428.2240

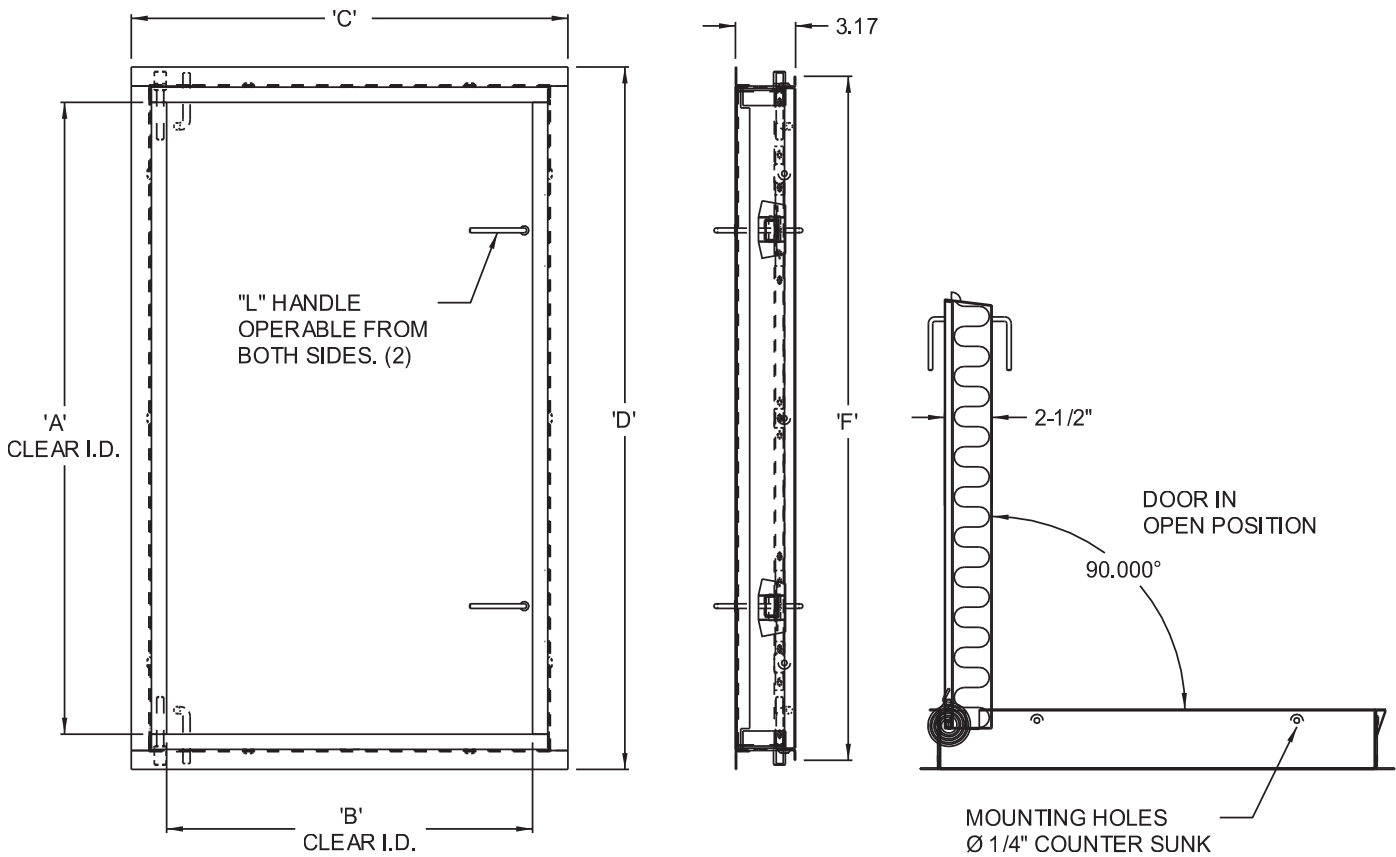
# FW-5050-UP

## CEILING FIRE RATED UPSWING

QTY.	NOMINAL SIZE	CEILING OPENING	'A' CLEAR I.D.	'B' CLEAR I.D.	'C'	'D'	'E'	'F'	LOCK
	22 x 30 (559 x 762)	22.5 x 30.5 (572 x 775)	27.28 (692)	19.28 (490)	23.00 (584)	31.00 (787)	22.00 (559)	30.00 (762)	2
	22 x 36 (559 x 914)	22.5 x 36.5 (572 x 927)	33.28 (845)	19.28 (490)	23.00 (584)	37.00 (940)	22.00 (559)	36.00 (914)	2
	24 x 24 (610 x 610)	24.5 x 24.5 (622 x 622)	21.28 (540)	21.28 (540)	25.00 (635)	25.00 (635)	24.00 (610)	24.00 (610)	1
	24 x 36 (610 x 914)	24.5 x 36.5 (622 x 927)	33.28 (845)	21.28 (540)	25.00 (635)	37.00 (940)	24.00 (610)	36.00 (914)	2



FOR FIRE RATED CEILINGS, THIS DOOR HAS BEEN APPROVED BY WARNOCK HERSEY INTERNATIONAL FOR 3 HOURS.



**STANDARD FEATURES:** UNIVERSAL SELF LATCHING BOLT- OPERATED BY "L" HANDLE ON BOTH SIDES.  
 COIL SPRINGS TO CONTROL OPENING AND CLOSING  
 16 GAUGE STEEL, PRIME COAT BAKED ENAMEL FINISH.

**ALL FIRE RATED:**  
 SPECIAL SIZES CAN BE ORDERED, BUT BASIC CONSTRUCTION  
 MUST REMAIN CONSTANT TO COMPLY WITH WARNOCK HERSEY REGULATIONS.

JOB NAME:  
 CUSTOMER:

APPROVED BY:  
 DATE: