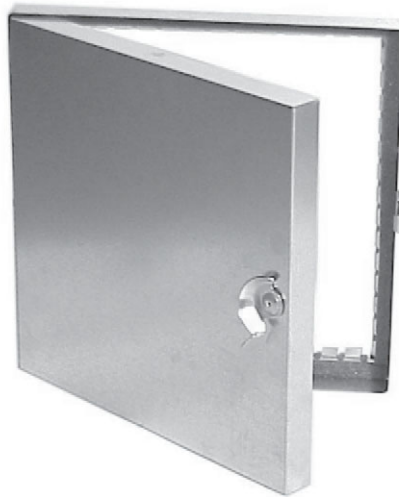


DT Series



Duct Access Doors

Doors are designed to provide access to equipment installed within ducts. The door panels are insulated and gaskets between the panel and frame will assure tight seals without obstruction in the air system.

Door and Frame are fabricated from 24 gage, galvanized steel.

Door is 1" thick, double wall construction and insulated.

Frame is provided with knock-over tabs and easily attached to the duct.

Hinge is continuous piano type.

Cam Latch is self-tightening and hand operated.

Guide Specification

Provide Elmdor[®] DT Series, Duct Access Doors (specify model number and options). Access door and frame shall be fabricated from 24 gage, galvanized steel. The door shall be 1" thick, double wall construction and insulated. Frame shall have knock-over edges for attaching to duct. Hinge shall be a continuous piano type. Cam latch shall be self-tightening and hand operated.



Member of U.S. Green
Building Council

DT

Revised: 3/24/09



MODEL NUMBER AND OPTIONS SELECTION

Suffix Options

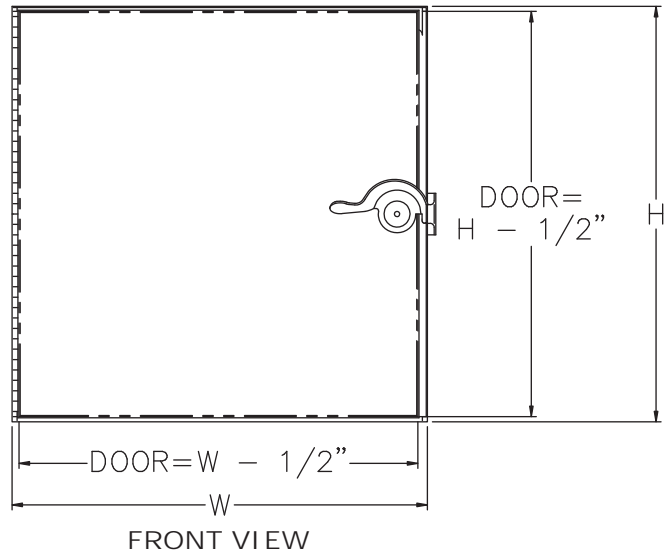
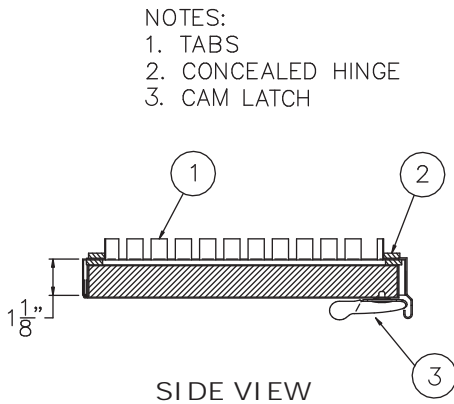
BASE MODEL NUMBER
 DT Duct Access Door

-CNH Cam Latch-Non Hinged

STANDARD AVAILABLE SIZES

Special sizes available upon request.

NOMINAL DOOR SIZE (W X H)	DUCT OPENING	CAM LATCHES	WEIGHT
DT 6" x 6"	4-3/4" x 4-3/4"	1	1.5 lbs.
DT 8" x 8"	6-3/4" x 6-3/4"	1	2.5 lbs.
DT 10" x 10"	8-3/4" x 8-3/4"	1	3 lbs.
DT 12" x 12"	10-3/4" x 10-3/4"	1	4 lbs.
DT 14" x 14"	12-3/4" x 12-3/4"	2	5 lbs.
DT 16" x 16"	14-3/4" x 14-3/4"	2	7 lbs.
DT 18" x 18"	16-3/4" x 16-3/4"	2	8 lbs.
DT 20" x 20"	18-3/4" x 18-3/4"	2	11 lbs.
DT 24" x 24"	22-3/4" x 22-3/4"	2	13 lbs.



Dimensions are subject to manufacturer's tolerance of plus or minus 1/4". Elmdor/Stoneman assumes no responsibility for use of void or suspended data. Please visit www.elmdorstoneman.com for most current specifications. © Copyright 2009 Elmdor/Stoneman, City of Industry, CA, A Division of Acorn Engineering Company.

SELECTION SUMMARY & APPROVAL FOR MANUFACTURING	
Model Number & Options _____	Quantity _____
Company _____	Date _____
Contact _____	Title _____
Approval for Manufacturing/Signature _____	

DT

Revised: 3/24/09