

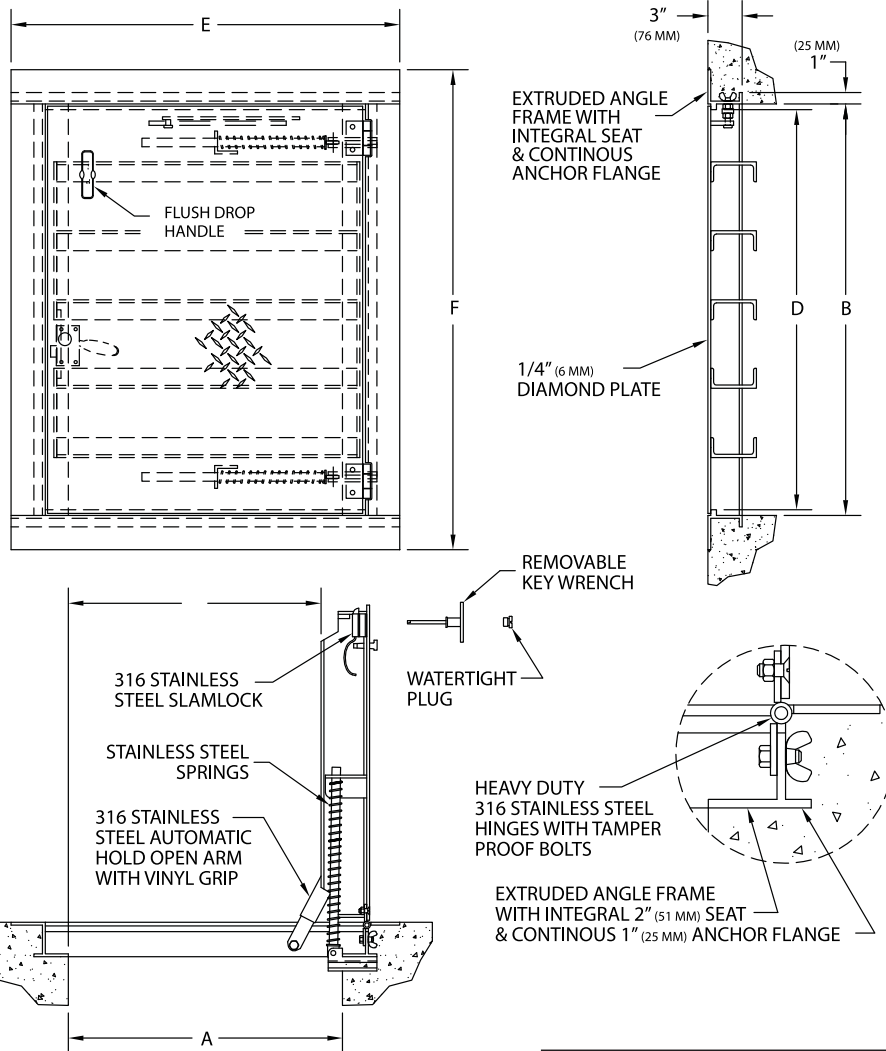


www.acudor.com
 U.S.A.: info@acudor.com / 800.722.0501
 CANADA: info@acudor.ca / 844.228.3671
 INTERNATIONAL: info@acudorintl.com
 905.428.2240

FA-H20

ANGLE FRAME FLOOR DOOR H20 LOADING - SINGLE LEAF

NOMINAL DOOR SIZE	FRAME OPENING		CLEAR OPENING		OVERALL SIZE		WEIGHT
in. (mm)	A in. (mm)	B in. (mm)	C in. (mm)	D in. (mm)	E in. (mm)	F in. (mm)	LBS. (KG)
24 x 24 (610 x 610)	24 (610)	24 (610)	22 (559)	23 (584)	34 (864)	30 (762)	62 (28)
24 x 30 (610 x 914)	24 (610)	30 (762)	22 (559)	28 (711)	34 (864)	36 (914)	65 (30)
24 x 36 (610 x 762)	24 (610)	36 (914)	22 (559)	35 (889)	34 (864)	42 (1067)	87 (39)
30 x 30 (762 x 762)	30 (762)	30 (762)	28 (711)	29 (737)	40 (1016)	36 (914)	86 (39)
30 x 48 (762 x 762)	30 (762)	48 (1219)	28 (711)	47 (1194)	40 (1016)	54 (1372)	133 (60)
36 x 36 (914 x 914)	36 (914)	36 (914)	33 (838)	35 (889)	46 (1168)	42 (1067)	122 (55)
36 x 48 (914 x 1219)	36 (914)	48 (1219)	33 (838)	45 (1143)	46 (1168)	43 (1092)	150 (68)
42 x 42 (1067 x 1067)	42 (1067)	42 (1067)	39 (990)	39 (990)	52 (1320)	52 (1320)	170 (77)



NOTE:
 - MATERIAL: ALUMINUM WITH STAINLESS STEEL SPRINGS, 316 STAINLESS STEEL NUTS & BOLTS, HINGES, AND HOLD OPEN ARM.
 - LOADING: DESIGNED FOR OFF-STREET LOCATIONS WHICH MAY OCCASIONALLY RECEIVE H-20 WHEEL LOADS.
 - BITUMINOUS COATING IS APPLIED TO AREA OF FRAME IN CONTACT WITH CONCRETE

OPTIONAL FEATURES	
<input type="checkbox"/>	RECESSED STAPLE FOR PADLOCK
<input type="checkbox"/>	OTHERS: _____

JOB NAME:
 CUSTOMER:

APPROVED BY:
 DATE:

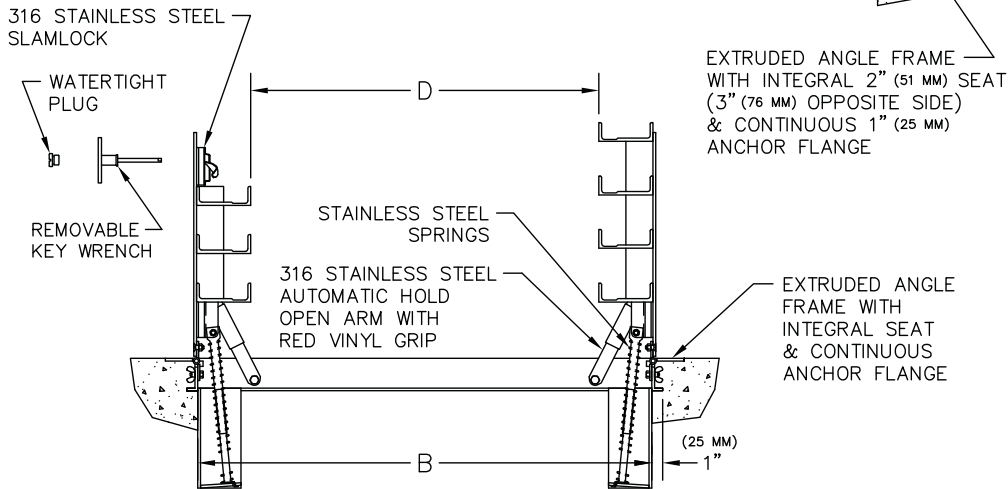
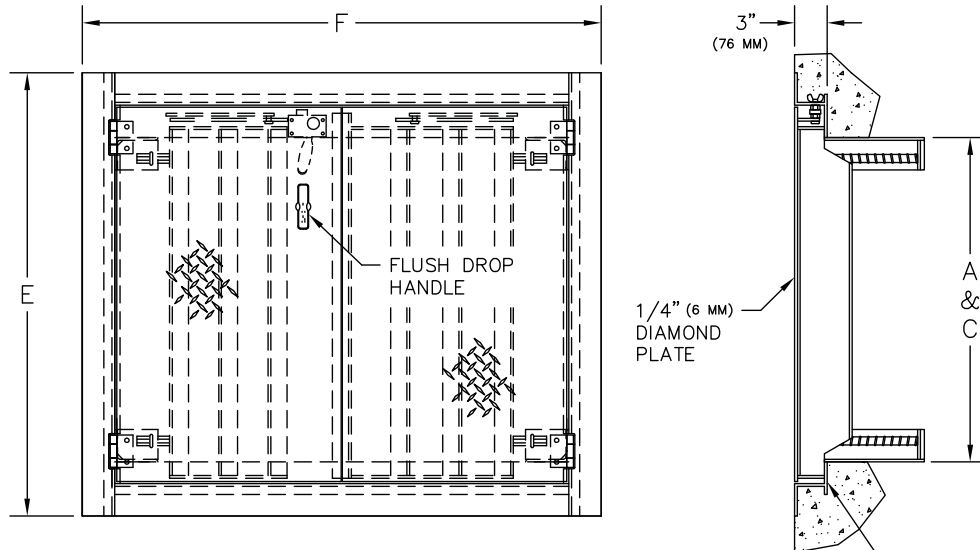


www.acudor.com
 U.S.A.: info@acudor.com / 800.722.0501
 CANADA: info@acudor.ca / 844.228.3671
 INTERNATIONAL: info@acudorintl.com
 905.428.2240

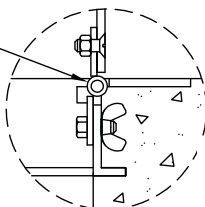
FA-H20

ANGLE FRAME FLOOR DOOR H20 LOADING - DOUBLE LEAF

NOMINAL DOOR SIZE	FRAME OPENING		CLEAR OPENING		OVERALL SIZE		WEIGHT
in. (mm)	A in. (mm)	B in. (mm)	C in. (mm)	D in. (mm)	E in. (mm)	F in. (mm)	LBS. (KG)
48 x 48 (610 x 610)	48 (1219)	48 (1219)	48 (1219)	36 (914)	59 (1499)	54 (1372)	221 (100)
48 x 72 (610 x 1829)	48 (1219)	72 (1829)	48 (1219)	60 (1524)	59 (1499)	78 (1981)	330 (150)
60 x 60 (1524 x 1524)	60 (1524)	60 (1524)	60 (1524)	44 (1118)	71 (1803)	66 (1676)	399 (181)



HEAVY DUTY
 316 STAINLESS STEEL
 HINGES WITH TAMPER
 PROOF BOLTS



NOTE:

- MATERIAL: ALUMINUM WITH STAINLESS STEEL SPRINGS, 316 STAINLESS STEEL NUTS & BOLTS, HINGES, AND HOLD OPEN ARM.
- LOADING: DESIGNED FOR OFF-STREET LOCATIONS WHICH MAY OCCASIONALLY RECEIVE H-20 WHEEL LOADS.
- BITUMINOUS COATING IS APPLIED TO AREA OF FRAME IN CONTACT WITH CONCRETE.

OPTIONAL FEATURES

- RECESSED STAPLE FOR PADLOCK
- OTHERS: _____

JOB NAME:
 CUSTOMER:

APPROVED BY:
 DATE: