

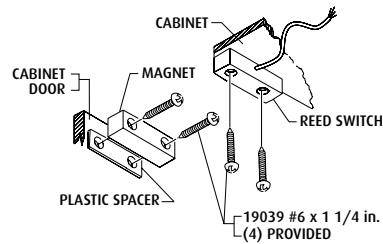


Safety Technology International, Inc.  
 2306 Airport Road • Waterford, Michigan 48327-1209  
 Phone: 248-673-9898 • Fax: 248-673-1246  
 Toll Free: 800-888-4784 • E-mail: info@sti-usa.com  
 Web: www.sti-usa.com

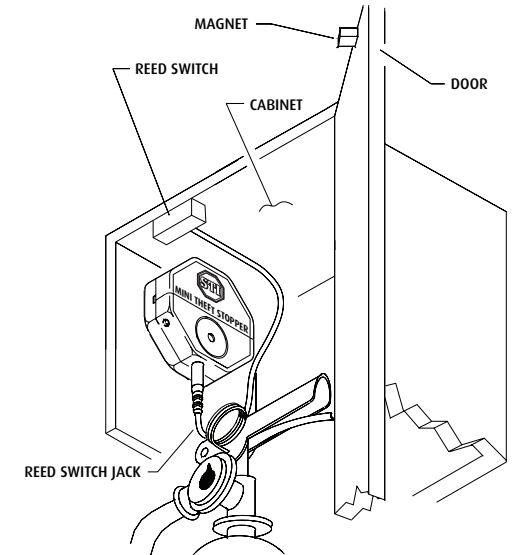
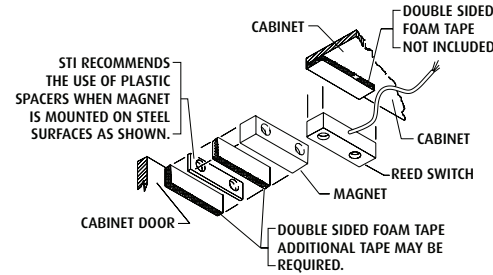
Safety Technology International (Europe) Ltd.  
 Unit 49G Pipers Road • Park Farm Industrial Estate • Redditch  
 Worcestershire • B98 0HU • England • Tel: 44 (0) 1527 520 999  
 Fax: 44 (0) 1527 501 999 • Freephone: 0800 085 1678 (UK only)  
 E-mail: info@sti-europe.com • Web: www.sti-europe.com

### CABINET MOUNT OPTIONS FOR SUB-132

#### MAGNET AND REED SWITCH SECURED WITH (4) SCREWS



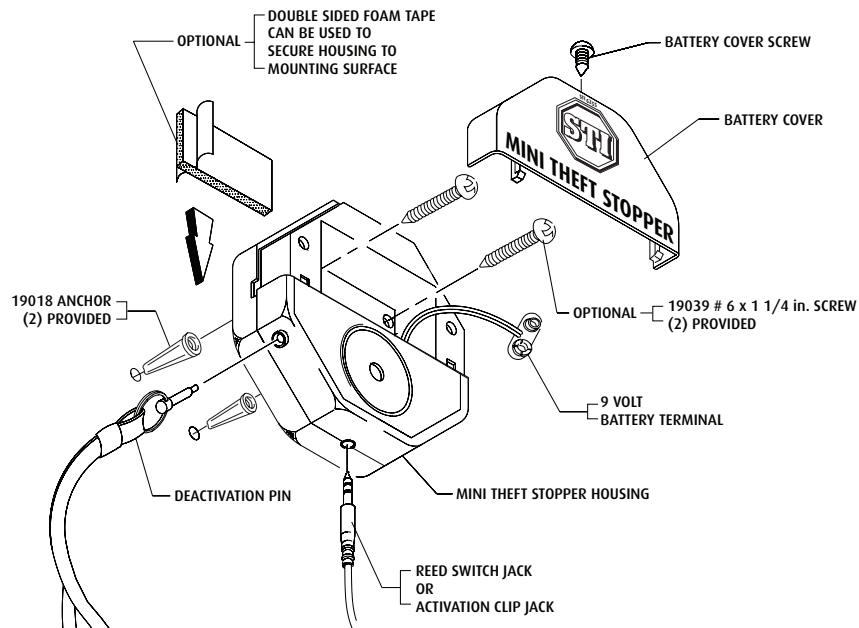
#### MAGNET AND REED SWITCH SECURED WITH ADHESIVE PATCH



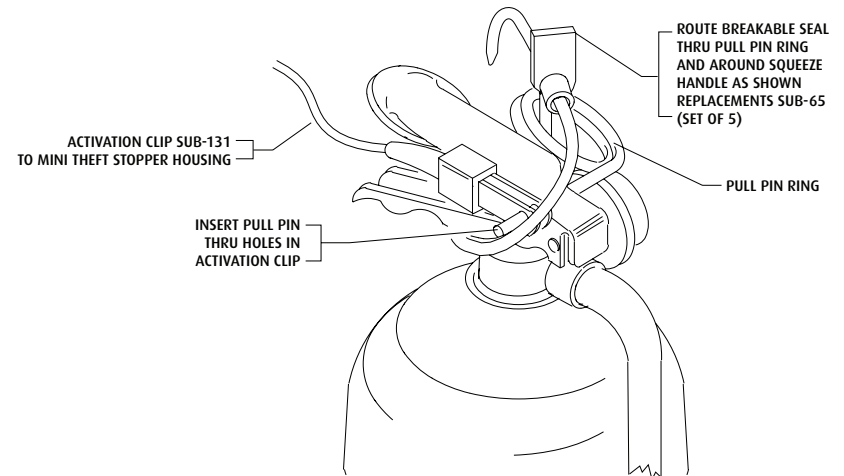
CABINET MOUNT

#### INSTALLATION NOTES:

1. Magnet and reed switch must be within 1/2 in. on non-metallic surface when door is closed. Metal surface requires closer spacing and use of plastic spacers.
2. When mounting alarm inside cabinet, deactivation pin can be removed without sounding alarm. When door is closed, alarm is active upon next opening of door, be sure to test this installation by re-opening door. If alarm does not sound, check magnet/reed switch installation. If alarm sounds reset alarm with deactivation pin, then remove pin and close door. Alarm is now ready to sound when door is opened.
3. Alarm will reset in approximately 3 minutes after cabinet door is closed or activation clip is reset.
4. To reset the alarm immediately or service the fire extinguisher, the deactivation key pin must be used.



HOUSING INSTALLATION



FREE STANDING EXTINGUISHER

## INSTALLATION OF STI-6255 MINI THEFT STOPPER®

All specifications and information shown were current as of publication, and are subject to change without notice.