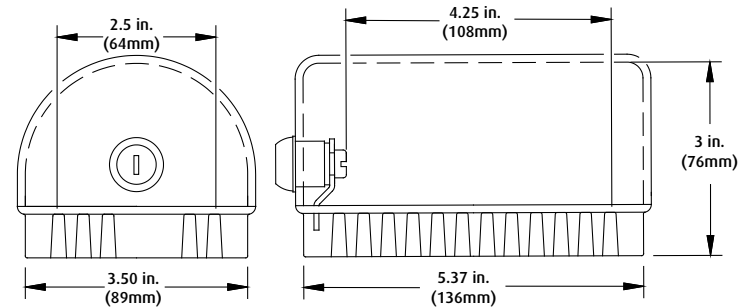
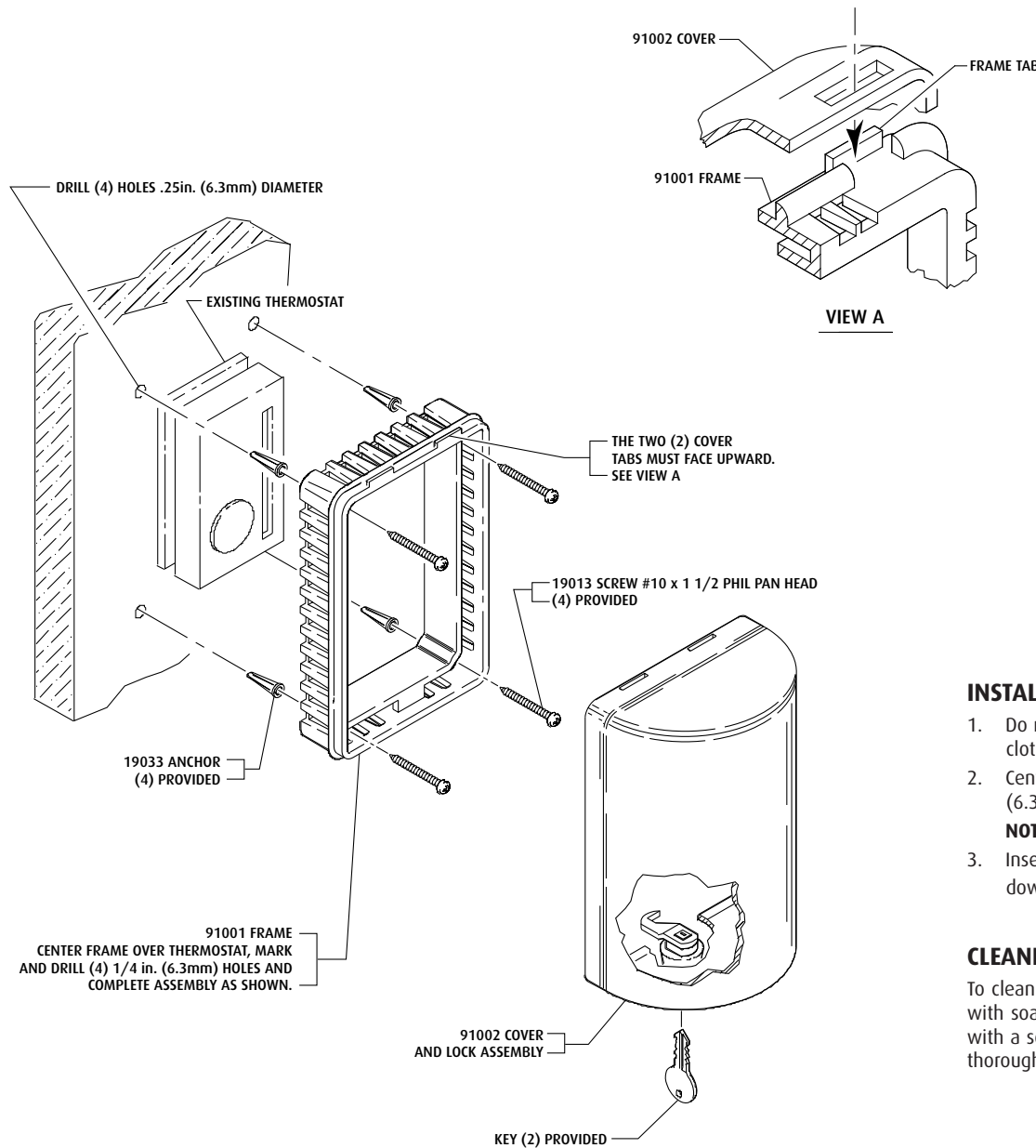




Safety Technology International, Inc.  
 2306 Airport Road • Waterford, Michigan 48327-1209  
 Phone: 248-673-9898 • Fax: 248-673-1246  
 Toll Free: 800-888-4784 • E-mail: info@sti-usa.com  
 Web: www.sti-usa.com

Safety Technology International (Europe) Ltd.  
 Unit 49G Pipers Road • Park Farm Industrial Estate • Redditch  
 Worcestershire • B98 0HU • England • Tel: 44 (0) 1527 520 999  
 Fax: 44 (0) 1527 501 999 • Freephone: 0800 085 1678 (UK only)  
 E-mail: info@sti-europe.com • Web: www.sti-europe.com



**STI-9100  
 PRODUCT DIMENSIONS**

**INSTALLATION INSTRUCTIONS**

1. Do not remove thermostat. Prior to drilling anchor holes, cover thermostat with a damp cloth to prevent dust from penetrating the sensor.
2. Center frame over existing thermostat. Mark and drill (4) anchor holes using a 1/4 in. (6.3mm) drill bit. Insert the (4) anchors and complete installation as shown.  
**NOTE:** The (2) tabs on the frame must face upward as shown in illustration.
3. Insert the (2) slots on the cover into tabs on top surface of frame. Rotate cover downward onto the frame and turn key to lock.

**CLEANING INSTRUCTIONS**

To clean cover, remove from wall. Rinse with water to remove abrasive dust and dirt. Wash with soap or mild detergent using a soft cloth (DO NOT SCRUB). Rinse once more, then dry with a soft cloth or chamois. To remove grease or wet paint, rub gently with a cloth wetted thoroughly with naphtha. Then wash and rinse. DO NOT USE RAZOR BLADES.

**INSTALLATION OF STI-9100 LOCKABLE MINI-THERMOSTAT COVER**

All specifications and information shown were current as of publication, and are subject to change without notice.

