

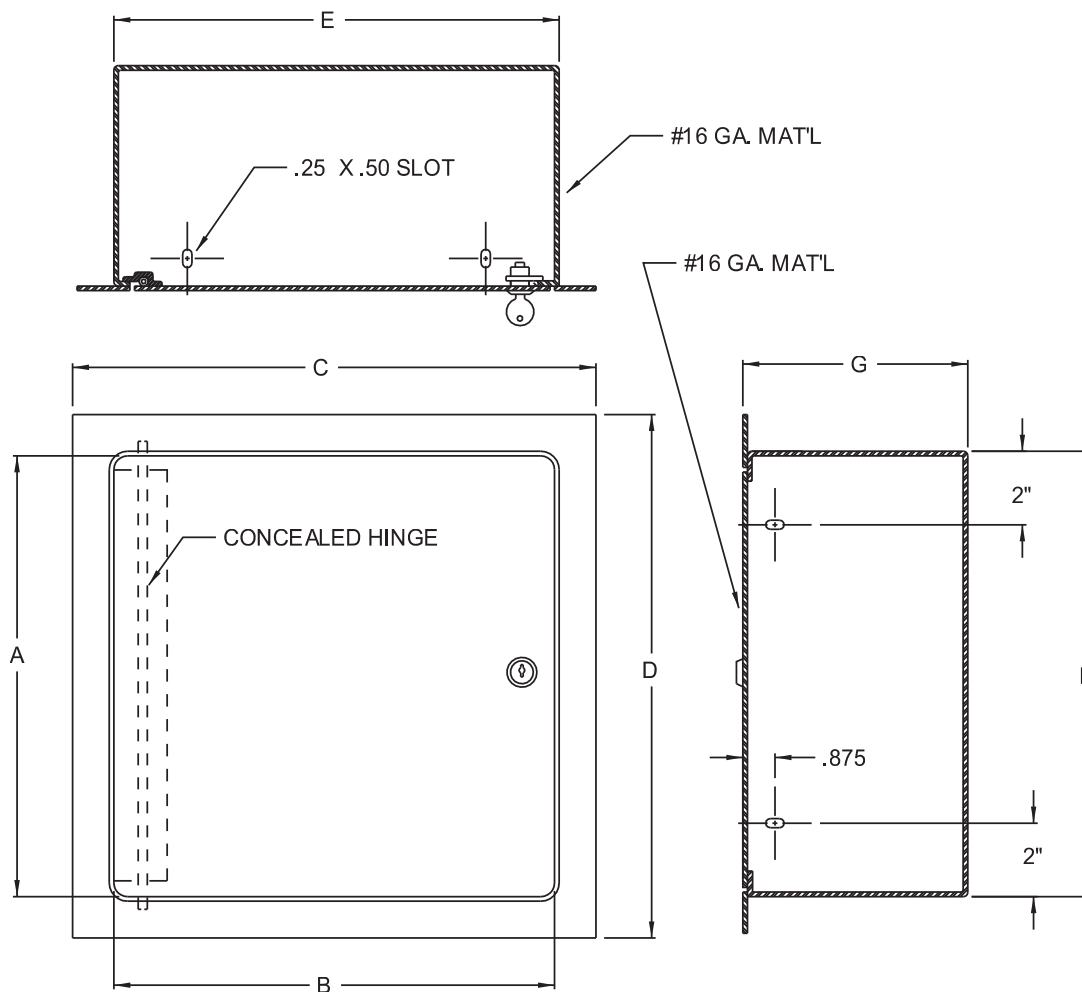


www.acudor.com
 U.S.A.: info@acudor.com / 800.722.0501
 CANADA: info@acudor.ca / 844.228.3671
 INTERNATIONAL: info@acudorintl.com
 (905) 428.2240

ARVB

RECESSED VALVE BOX

QTY.	NOMINAL SIZE	A	B	C	D	E	F	G	LOCK
	8 x 8 x 4 (203 x 203 x 102)	7.45 (189)	7.45 (189)	9.62 (244)	9.62 (244)	8.25 (210)	8.25 (210)	4	1
	8 x 8 x 6 (203 x 203 x 152)	7.45 (189)	7.45 (189)	9.62 (244)	9.62 (244)	8.25 (210)	8.25 (210)	6	1
	8 x 8 x 8 (203 x 203 x 203)	7.45 (189)	7.45 (189)	9.62 (244)	9.62 (244)	8.25 (210)	8.25 (210)	8	1
	12 x 12 x 4 (305 x 305 x 102)	11.45 (291)	11.45 (291)	13.62 (346)	13.62 (346)	12.25 (311)	12.25 (311)	4	1
	12 x 12 x 6 (305 x 305 x 152)	11.45 (291)	11.45 (291)	13.62 (346)	13.62 (346)	12.25 (311)	12.25 (311)	6	1
	12 x 12 x 8 (305 x 305 x 203)	11.45 (291)	11.45 (291)	13.62 (346)	13.62 (346)	12.25 (311)	12.25 (311)	8	1



STANDARD FEATURES: CYLINDER LOCK & KEY, STAINLESS STEEL, #4 SATIN POLISH

OPTIONS:

- LOCK TYPE**
- SCREWDRIVER OPERATED CAM LATCH
 - ALLEN HEAD CAM LATCH
 - SPANNER HEAD CAM LATCH
 - PADDLE HANDLE
 - THUMB TURN LATCH
 - OTHER

- MATERIAL**
- CARBON STEEL
 - OTHER

- FINISH**
- PRIME COAT BAKED ENAMEL
 - OTHER

JOB NAME:

APPROVED BY:

CUSTOMER:

DATE:

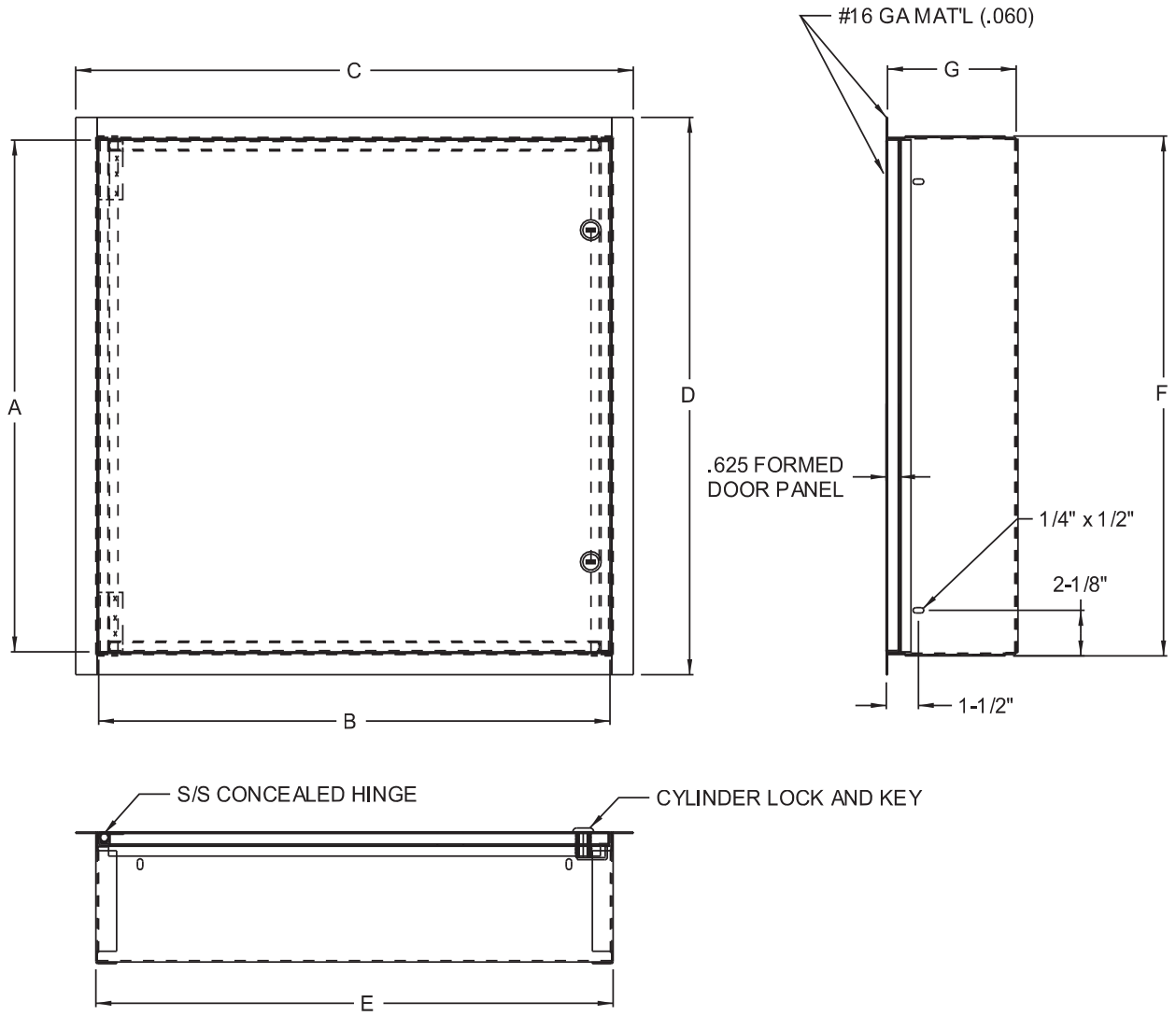


www.acudor.com
 U.S.A.: info@acudor.com / 800.722.0501
 CANADA: info@acudor.ca / 844.228.3671
 INTERNATIONAL: info@acudorintl.com
 (905) 428.2240

ARVB

RECESSED VALVE BOX

QTY.	NOMINAL SIZE	A	B	C	D	E	F	G	LOCK
	24 x 24 x 4 (610 x 610 x 102)	23.87 (606)	23.84 (606)	26.00 (660)	26.00 (660)	24.12 (613)	24.25 (616)	4	2
	24 x 30 x 4 (610 x 762 x 102)	29.87 (759)	23.84 (606)	26.00 (660)	32.00 (813)	24.12 (613)	30.25 (768)	4	2
	24 x 36 x 4 (610 x 914 x 102)	35.87 (911)	23.84 (606)	26.00 (660)	38.00 (965)	24.12 (613)	36.25 (921)	4	2
	24 x 48 x 4 (610 x 1219 x 102)	47.87 (1216)	23.84 (606)	26.00 (660)	50.00 (1270)	24.12 (613)	48.25 (1226)	4	2



STANDARD FEATURES: CYLINDER LOCK & KEY, STAINLESS STEEL, #4 SATIN POLISH

OPTIONS:

- LOCK TYPE**
- SCREWDRIVER OPERATED CAM LATCH
 - ALLEN HEAD CAM LATCH
 - SPANNER HEAD CAM LATCH
 - PADDLE HANDLE
 - THUMB TURN LATCH
 - 'L' HANDLE 3 POINT LATCH
 - OTHER

- MATERIAL**
- CARBON STEEL
 - OTHER

- FINISH**
- PRIME COAT BAKED ENAMEL
 - OTHER

JOB NAME:

APPROVED BY:

CUSTOMER:

DATE: