



Larsen's®

Occult Series Fire Extinguisher, Fire Hose, and Fire Department Valve Cabinets Submittal and Detail sheet

PROJECT: _____ LOCATION: _____
 MODEL NUMBER: _____ QUANTITY: _____
 ARCHITECT: _____ CONTRACTOR: _____
 DATE: _____ DISTRIBUTOR: Hallmann Sales

GENERAL DESCRIPTION: The Occult Series features an attractive door and concealed hinge which combine to give the cabinet a clean, trimless appearance. When the door is closed, it completely covers the cabinet's flange, which is on the outside of the wall surface.

BOX SPECIFICATION: The units have a cold-rolled steel box with a 3/4" wide flange (**Occult cabinets with the fire-rated option have a 1 1/2" wide flange and larger overall dimensions - see reverse side or attached sheet**). The standard color is matte black and white is available, if specified. The 0-4016 combination valve and extinguisher cabinet is furnished with a heavy gauge steel shelf, 12" up from the bottom of the box, leaving approximately 28" of available space for the fire extinguisher.

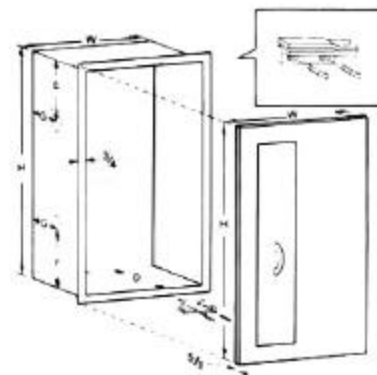
DOOR SPECIFICATION: The Occult door is 5/8" thick and is available in the Solid or Vertical Duo style - each available with the optional Larsen-Loc®, which provides the protection of a locked cabinet without requiring the breaking of glass to gain emergency access to the cabinet. The concealed hinge is constructed of aluminum with a stainless steel pin and allows the door to open 180°. The standard door material is cold-rolled steel with white baked acrylic enamel, which can be used either as a finish or prime coat. Optional door materials include aluminum, stainless steel, solid brass, and solid bronze. The aluminum door has a satin anodized finish. Clear anodized is standard and a selection of optional color anodized finishes is available. The standard stainless steel door is 304 stainless steel with #4 finish. Solid brass and solid bronze doors feature a standard satin finish with a clear protective coating. Optional polished finishes are available for the stainless steel, solid brass, and solid bronze doors. All standard Occult doors are supplied with a satin finish pull handle with a self adjusting roller catch. If specified, the pull handle can be deleted. Larsen's optional die cast "FIRE" handle can be specified in lieu of the standard pull handle (see reverse side or attached sheet).

TO SPECIFY THE OCCULT SERIES:

1. Use the appropriate prefix for the corresponding door material. For **steel - no prefix is required**. For **aluminum - use AL**. For **stainless steel - use SS**. For **solid brass - use B**. For **solid bronze - use BZ**. (If required, specify optional polished finishes for **stainless, brass, or bronze**).
2. Select the required **model number** from the table below.
3. Select the **door style** (Solid or Vertical Duo) and if required, the **optional die cut lettering**.
4. If the Vertical Duo Door is specified, select the required **glazing** from the table below (DSA is standard).
5. It required, specify the **Larsen-Loc®**, which can be combined with the Solid Door or any of the V-Duo Door glazing options listed below.
6. **The pull handle is standard**. (If required, specify the option of deleting the standard pull handle or substituting the optional die cast "FIRE" handle (see reverse side or attached sheet). **NOTE: The standard pull handle or the "FIRE" handle must be used, if the Larsen-Loc® is specified.**
7. If the **fire-rated option** is required, see reverse side or attached sheet for special dimensions and other specifications.

DIMENSIONS*

Model Number	Inside Box Dimensions HxWxD	Outside Flange Dimensions HxW	Outside Door Dimensions HxW	Rough Opening HxWxD	KNOCKOUT LOCATIONS E F G	Interior Capacity
O-2409	24x9 1/2 x 6	25 1/2 x 11	25 3/4 x 11 1/4	24 1/2 x 10 x 6 1/4	N/A	MP2 1/2, MP5, MP5-A, MP6, MP10, DC2 1/2, DC5, DC6, DC10, CD5, HT2 1/2, HT5



*NOTE: THE ABOVE DIMENSIONS ARE FOR **NON FIRE-RATED** CABINETS, ROUGH OPENING DIMENSIONS AS WELL AS OUTSIDE FLANGE AND DOOR DIMENSIONS ARE LARGER FOR **FIRE-RATED** OCCULT CABINETS - SEE FIRE-RATED OCCULT SERIES.

 VERTICAL DUO DOOR	 VERTICAL DUO DOOR WITH LARSEN-LOC®	 VERTICAL DUO DOOR Optional Lettering	 SOLID DOOR Optional Lettering	DOOR MATERIAL: <input type="checkbox"/> Steel <input type="checkbox"/> Aluminum (AL) <input type="checkbox"/> Stainless (SS) <input type="checkbox"/> Brass (B) <input type="checkbox"/> Bronze (BZ) <input type="checkbox"/> Other _____	OPTIONAL DIECUT LETTERING COLOR: <input type="checkbox"/> Red <input type="checkbox"/> Black <input type="checkbox"/> White OPTIONAL DIECUT LETTERING STYLE: <input type="checkbox"/> Vertical <input type="checkbox"/> Horizontal <input type="checkbox"/> Type A	DOOR GLAZING & OPTIONS: <input type="checkbox"/> Clear Acrylic (Standard) <input type="checkbox"/> Clear Tempered Safety Glass <input type="checkbox"/> Clear Wire Glass <input type="checkbox"/> Laminated Safety Glass <input type="checkbox"/> Bronze Acrylic <input type="checkbox"/> Gray Acrylic <input type="checkbox"/> (Other) _____
<input type="checkbox"/> Optional Larsen-Loc® (available with either Solid or V-Duo Door)						

LARSEN'S MANUFACTURING COMPANY - www.larsensmfg.com

7421 Commerce Lane N.E., Minneapolis, MN 55432 Phone: (763) 571-1181 FAX: (763) 571-6900

FLORIDA DIVISION: 3130 N.W. 17th Street, Ft. Lauderdale, FL 33311 Phone: (954) 486-3325 FAX: (954) 486-3352