

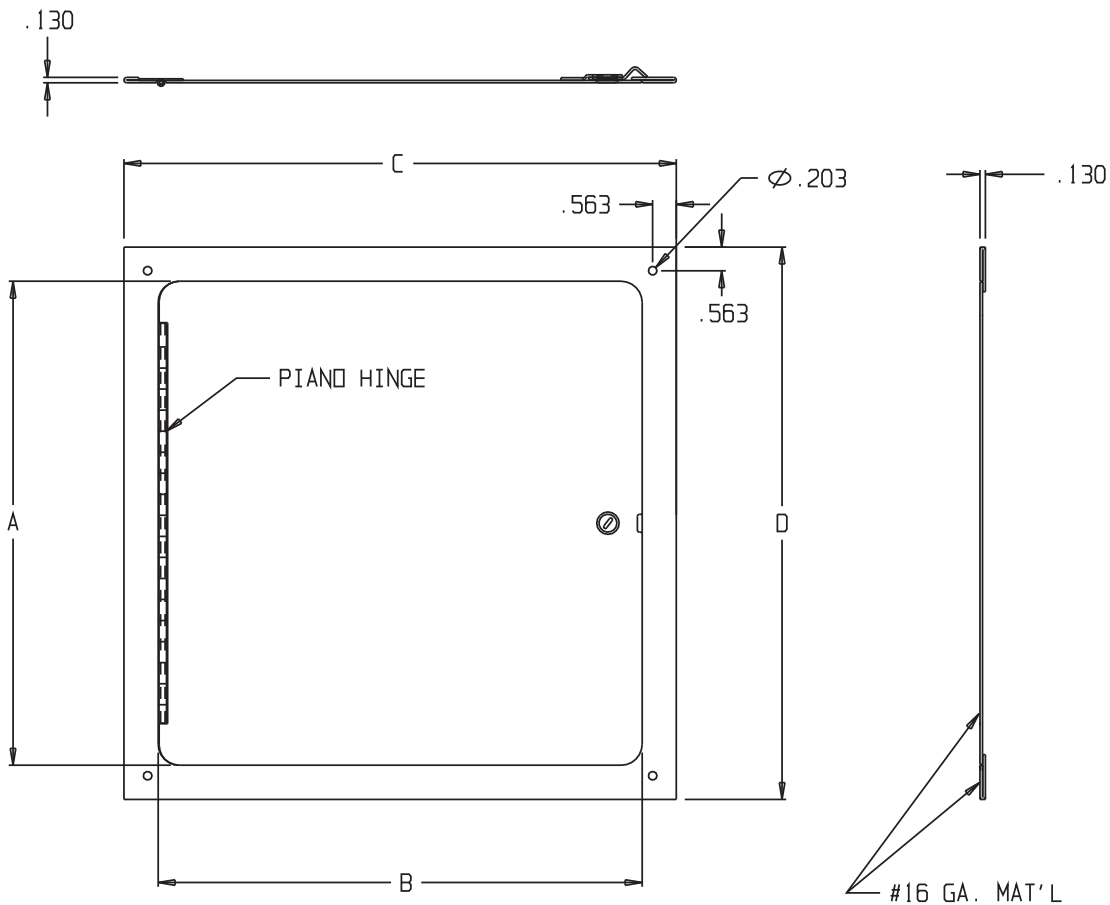


www.acudor.com
 U.S.A.: info@acudor.com / 800.722.0501
 CANADA: info@acudor.ca / 844.228.3671
 INTERNATIONAL: info@acudorintl.com
 (905) 428.2240

SF-2000

SURFACE MOUNTED

QTY.	NOMINAL SIZE	A	B	C	D	WALL / CEILING OPENING	LOCK
	8 x 8 (203 x 203)	7.50 (190)	7.50 (190)	9.125 (232)	9.125 (232)	7.5 x 7.5 (191 x 191)	1
	12 x 12 (305 x 305)	11.50 (292)	11.50 (292)	13.125 (333)	13.125 (333)	11.5 x 11.5 (292 x 292)	1
	16 x 16 (406 x 406)	15.50 (394)	15.50 (394)	17.125 (435)	17.125 (435)	15.5 x 15.5 (394 x 394)	2
	18 x 18 (457 x 457)	17.50 (445)	17.50 (445)	19.125 (486)	19.125 (486)	17.5 x 17.5 (444 x 444)	2
	24 x 24 (610 x 610)	23.50 (597)	23.50 (597)	25.125 (638)	25.125 (638)	23.5 x 23.5 (597 x 597)	4



STANDARD FEATURES: STAINLESS STEEL SCREW DRIVER OPERATED CAM LATCH,
 CARBON STEEL, PRIME COAT BAKED ENAMEL FINISH

OPTIONS:

- LOCK TYPE**
- CYLINDER LOCK & KEY
 - ALLEN HEAD CAM LATCH
 - SPANNER HEAD CAM LATCH
 - OTHER

- MATERIAL**
- STAINLESS STEEL
 - OTHER

- FINISH**
- #4 SATIN POLISH
 - OTHER

JOB NAME:

APPROVED BY:

CUSTOMER:

DATE:

This document contains proprietary information which is the property of Acudor Products. It shall not be modified, copied, furnished, nor distributed (in whole or in part) without proper authorization. Copyright © 2020 Acudor Products.

This product is the proprietary property of Acudor Products. It is sold and distributed by Hallmann Sales with proper authorization.