



# SURFACE MOUNTED FLUSH ACCESS DOOR

Available at Hallmann Sales, LLC  
 866-966-9596  
 info@hallmann-sales.com

**Model DSB-214SM**  
**For All Types of Construction**

DATE



**KARP ASSOCIATES, INC.**  
 260 Spagnoli Road, Melville, NY 11747  
 (631)768-8300 - Phone  
 (631)768-8350 - Fax

## SPECIFICATIONS

### GENERAL SCOPE:

Access doors shall be Karp Type DSB-214SM as manufactured by Karp Associates, Inc., Melville, N.Y. Sizes shall be as indicated on the drawings.

### CONSTRUCTION:

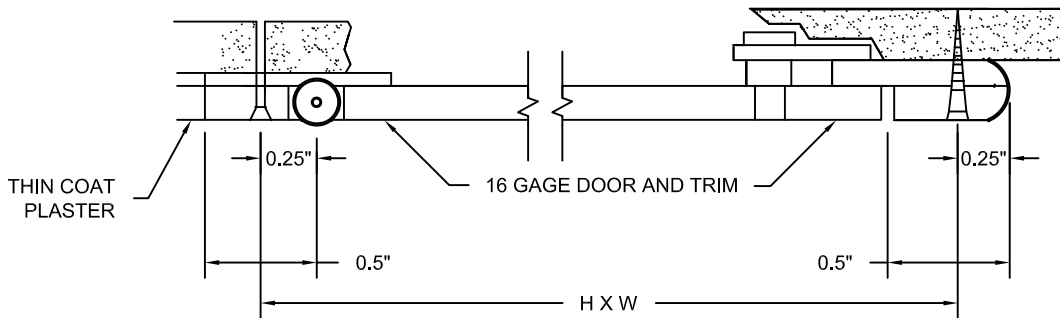
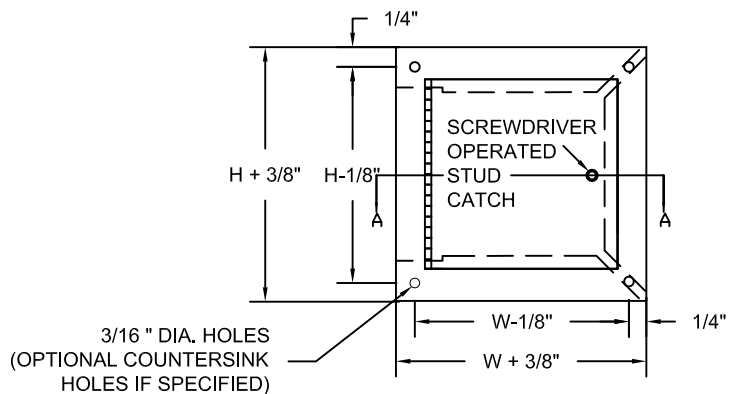
- 1.(a) On door sizes of 12 x 12 and smaller, door and frame shall be 16 gage steel (or if specified, stainless steel).
- (b) On larger sizes, door and frame shall be 14 gage steel (or if specified, stainless steel).
2. Trim shall be one piece construction.
3. Hinge shall be exposed continuous piano hinge.
4. Latches shall be flush and screwdriver operated, or shall be key operated cylinder lock with automatic dust shutter.
5. Finish shall be prime coat of rust inhibitive electrostatic powder, baked white enamel.

### STANDARD SIZES

FRAME MTG SIZE H X W (IN.)	NUMBER OF LATCHES	SHIP WT. (LBS.)
8 x 8	1	1.8
12 x 12	1	4.2
16 x 16	2	7.0
24 x 24	4	13.7

PROJECT DATA					
Project Name:					
Architect:					
Contractor:					
Agent/Customer Name:					
Tagging Instructions:					
Special Instructions:					

PROJECT SCHEDULE					
Qty.	H	W	No. of Latches	Finish	Remarks



SECTION A-A



**Made with Union Labor**