

SF Series



Surf Access Doors

Doors are designed for surface installation on drywall, masonry or thin-coat plaster. Door features rounded safety corners and is attached to the frame with a continuous piano hinge allowing a 175 degree opening.

Door and Frame are fabricated from 14 gage, galvanized steel.

Frame is easily secured to the studs and anchored through pre-drilled holes in each corner. No additional reinforcement is required.

Latch is screwdriver operated.

Finish is a white prime coat suitable for painting.

Guide Specification

Provide Elmdor[®] SF Series, Surf Access Doors (specify model number and options). Access Door and Frame shall be fabricated from 14 gage, galvanized steel with a white prime coat finish. Door shall have a continuous piano hinge and rounded safety corners. Latch shall be screwdriver operated.



Member of U.S. Green
Building Council

SF

Revised: 08/31/18



MODEL NUMBER AND OPTIONS SELECTION

BASE MODEL NUMBER

SF Surf Access Door

Suffix Options

- AKL Allen Key Latch
- SS Stainless Steel Construction (Type 304 No. 4 Satin Finish)

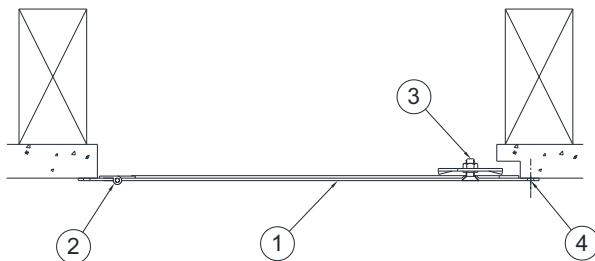
STANDARD AVAILABLE SIZES

Special sizes available upon request.

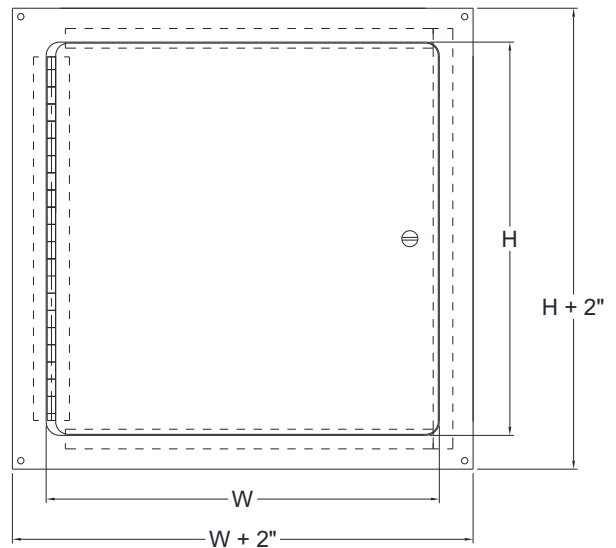
| NOMINAL DOOR SIZE | ACTUAL DOOR SIZE (W x H) | LATCHES | WEIGHT |
|-------------------|--------------------------|---------|-----------|
| SF 8" x 8" | SF 7-5/8" x 7-5/8" | 1 | 2.5 lbs. |
| SF 10" x 10" | SF 9-5/8" x 9-5/8" | 1 | 3.5 lbs. |
| SF 12" x 12" | SF 11-5/8" x 11-5/8" | 1 | 4 lbs. |
| SF 14" x 14" | SF 13-5/8" x 13-5/8" | 1 | 6 lbs. |
| SF 16" x 16" | SF 15-5/8" x 15-5/8" | 1 | 8 lbs. |
| SF 18" x 18" | SF 17-5/8" x 17-5/8" | 3 | 9.5 lbs. |
| SF 22" x 22" | SF 21-5/8" x 21-5/8" | 3 | 13.5 lbs. |
| SF 24" x 24" | SF 23-5/8" x 23-5/8" | 3 | 16 lbs. |

NOTES:

1. DOOR
2. PIANO HINGE
3. SCREWDRIVER OPERATED LATCH
4. MOUNTING HOLES



SIDE VIEW



FRONT VIEW

⚠ WARNING: Cancer and Reproductive Harm - www.P65Warnings.ca.gov

Dimensions are subject to manufacturer's tolerance of plus or minus 1/4". Elmdor/Stoneman assumes no responsibility for use of void or suspended data. Please visit www.elmdorstoneman.com for most current specifications. © Copyright 2009 Elmdor/Stoneman, City of Industry, CA, A Division of Acorn Engineering Company.

SELECTION SUMMARY & APPROVAL FOR MANUFACTURING

| | |
|--|----------------|
| Model Number & Options _____ | Quantity _____ |
| Company _____ | Date _____ |
| Contact _____ | Title _____ |
| Approval for Manufacturing/Signature _____ | |

SF

Revised: 08/31/18