

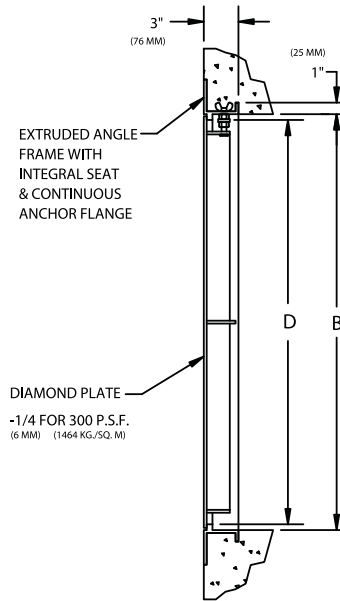
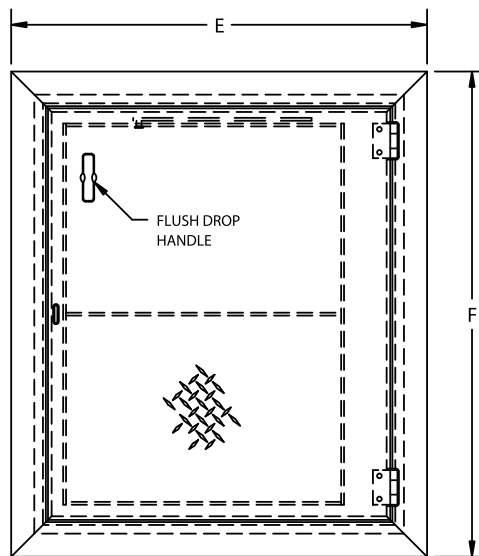


www.acudor.com
 U.S.A.: info@acudor.com / 800.722.0501
 CANADA: info@acudor.ca / 844.228.3671
 INTERNATIONAL: info@acudorintl.com
 905.428.2240

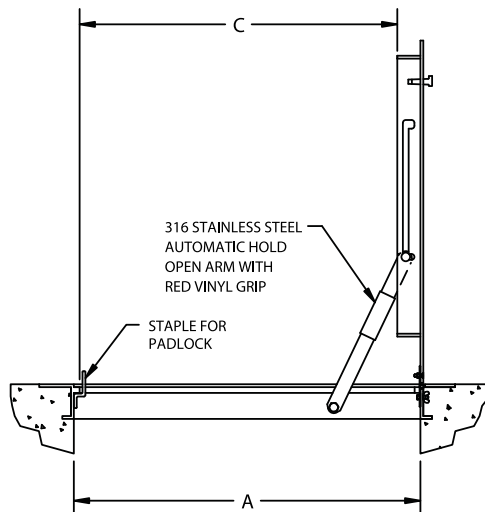
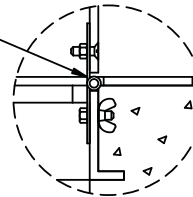
FA-300

ANGLE FRAME FLOOR DOOR SINGLE LEAF

NOMINAL DOOR SIZE	FRAME OPENING		CLEAR OPENING		OVERALL SIZE		WEIGHT
in. (mm)	A in. (mm)	B in. (mm)	C in. (mm)	D in. (mm)	E in. (mm)	F in. (mm)	LBS. (KG)
24 x 24 (610 x 610)	24 (610)	24 (610)	21 (533)	23 (584)	30 (762)	30 (762)	42 (19)
24 x 30 (610 x 762)	24 (610)	30 (762)	21 (533)	29 (737)	30 (762)	36 (914)	49 (22)
24 x 36 (610 x 914)	24 (610)	36 (914)	21 (533)	35 (889)	30 (762)	42 (1067)	55 (25)
30 x 30 (762 x 762)	30 (762)	30 (762)	27 (686)	29 (737)	36 (914)	36 (914)	57 (26)
30 x 48 (762 x 1219)	30 (762)	48 (1219)	27 (686)	47 (1194)	36 (914)	54 (1372)	80 (36)
36 x 36 (914 x 914)	36 (914)	36 (762)	32 (813)	35 (889)	42 (1067)	42 (1067)	73 (33)
36 x 48 (914 x 1219)	36 (914)	48 (1219)	32 (813)	47 (1194)	42 (1067)	54 (1372)	92 (42)
42 x 42 (1067 x 1067)	42 (1067)	42 (1067)	38 (965)	41 (1041)	48 (1219)	48 (1219)	94 (43)



316 STAINLESS STEEL HINGES WITH TAMPER PROOF BOLTS



NOTE:
 -MATERIAL: ALUMINUM WITH 316 STAINLESS STEEL NUTS & BOLTS, HINGES, AND HOLD OPEN ARM.
 -LOADING: 300 LBS. PER SQ. FOOT. (1464 KG. PER SQ. M)

OPTIONAL FEATURES	
<input type="checkbox"/>	S.S. HORIZONTAL SPRINGS
<input type="checkbox"/>	S.S. SLAMLOCK
<input type="checkbox"/>	BITUMINOUS PAINT ON AREA IN CONTACT WITH CONCRETE
<input type="checkbox"/>	OTHERS: _____

JOB NAME:

APPROVED BY:

CUSTOMER:

DATE:

This document contains proprietary information which is the property of Acudor Products. It shall not be modified, copied, furnished, nor distributed (in whole or in part) without proper authorization. Copyright © 2020 Acudor Products.

This product is the proprietary property of Acudor Products. It is sold and distributed by Hallmann Sales with proper authorization.

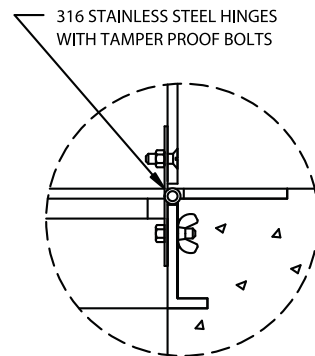
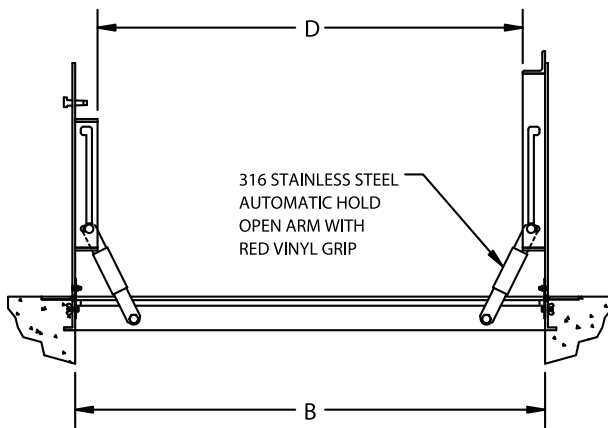
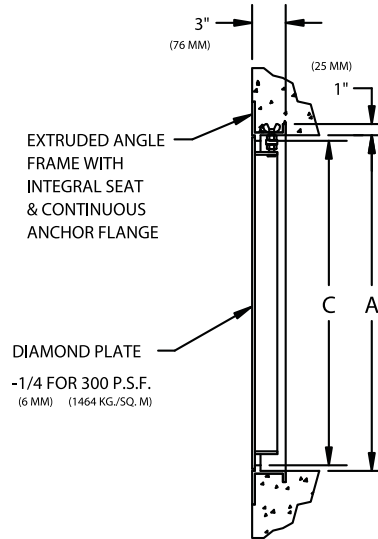
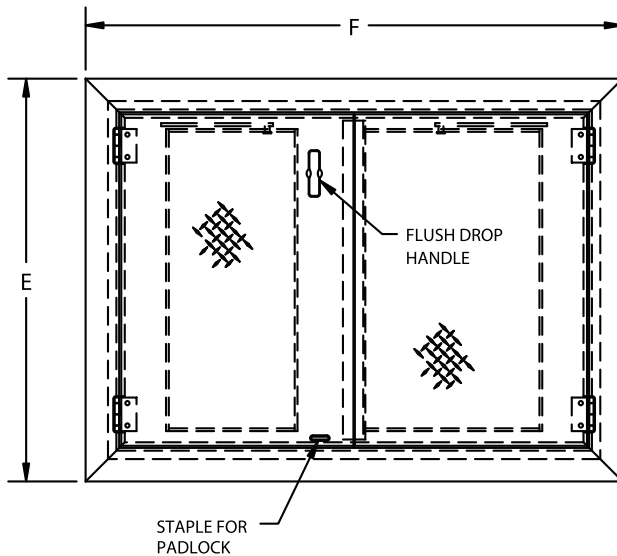


www.acudor.com
 U.S.A.: info@acudor.com / 800.722.0501
 CANADA: info@acudor.ca / 844.228.3671
 INTERNATIONAL: info@acudorintl.com
 905.428.2240

FA-300

ANGLE FRAME FLOOR DOOR DOUBLE LEAF

NOMINAL DOOR SIZE	FRAME OPENING		CLEAR OPENING		OVERALL SIZE		WEIGHT
in. (mm)	A in. (mm)	B in. (mm)	C in. (mm)	D in. (mm)	E in. (mm)	F in. (mm)	LBS. (KG)
48 x 48 (1219 x 1219)	48 (1219)	48 (1219)	47 (1194)	41 (1041)	54 (1372)	54 (1372)	123 (56)
48 x 72 (1219 x 1829)	48 (1219)	72 (1829)	47 (1194)	65 (1651)	54 (1372)	78 (1981)	170 (77)
60 x 60 (1524 x 1524)	60 (1524)	60 (1524)	59 (1499)	54 (1372)	66 (1676)	66 (1676)	177 (80)



NOTE:
 -MATERIAL: ALUMINUM WITH 316 STAINLESS STEEL NUTS & BOLTS, HINGES, AND HOLD OPEN ARM.
 -LOADING: 300 LBS. PER SQ. FOOT. (1464 KG. PER SQ. M)

OPTIONAL FEATURES
<input type="checkbox"/> S.S. HORIZONTAL SPRINGS
<input type="checkbox"/> S.S. SLAMLOCK
<input type="checkbox"/> BITUMINOUS PAINT ON AREA IN CONTACT WITH CONCRETE
<input type="checkbox"/> OTHERS: _____

JOB NAME:
 CUSTOMER:

APPROVED BY:
 DATE: