

8

7

6

5

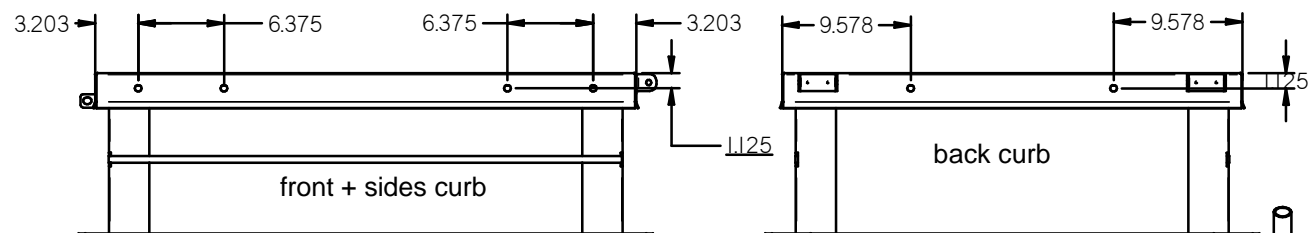
4

3

2

1

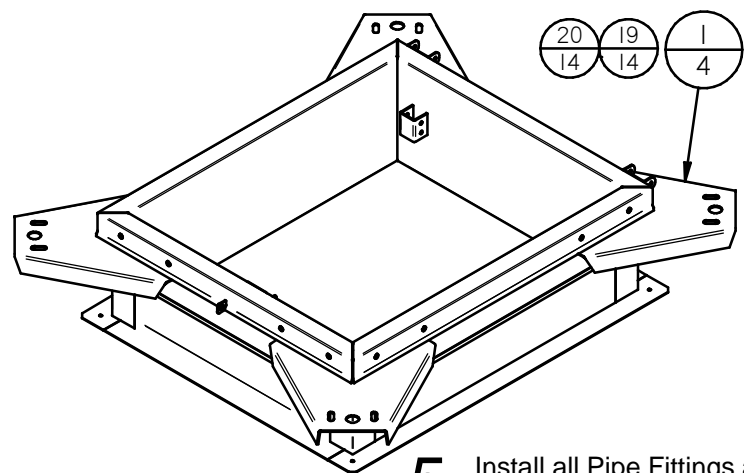
- 1.** Drill 7/16" diameter holes in the Roof Hatch Curb as shown:
(4) holes @ front and sides & (2) holes only @ back(hinge) curb panel



- 2.** Install (4) Mounting Brackets (#1) using 1/2-13X1-1/4 Hex Bolts(#21) 1/2 Lock Washers (#22)& 1/2 Hex Nut (#23)

- 3.** Install (4) Railing Flanges (#2) using 3/8-16X3/4 Hex Bolts(#19) 3/8 Washers (#21) & Nuts (#20)

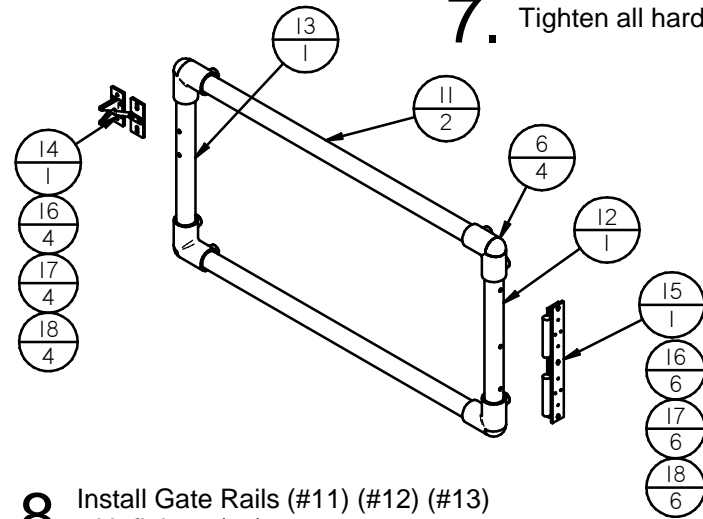
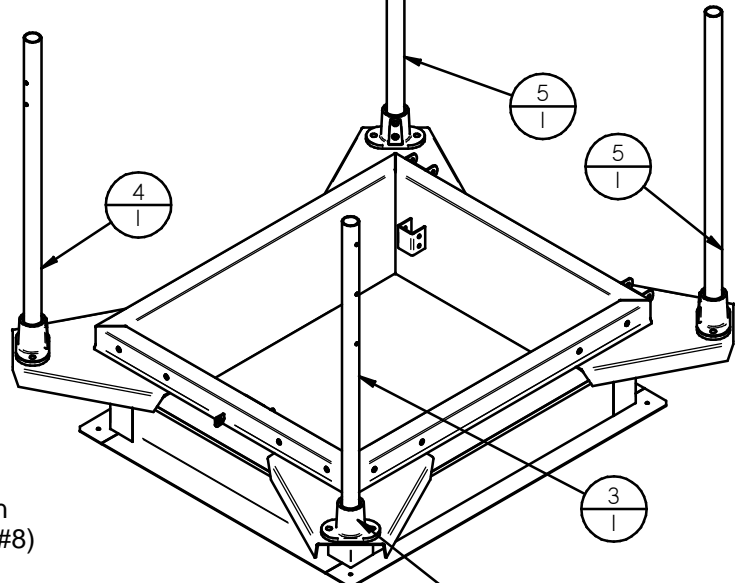
- 4.** Install (4) Mounting Posts (#5) @ back; Install Hinge and Latch Mounting Posts (#3)&(#4) @ front roof hatch curb



- 5.** Install all Pipe Fittings as shown elbow(#6), tee(#7), side elbow(#8)

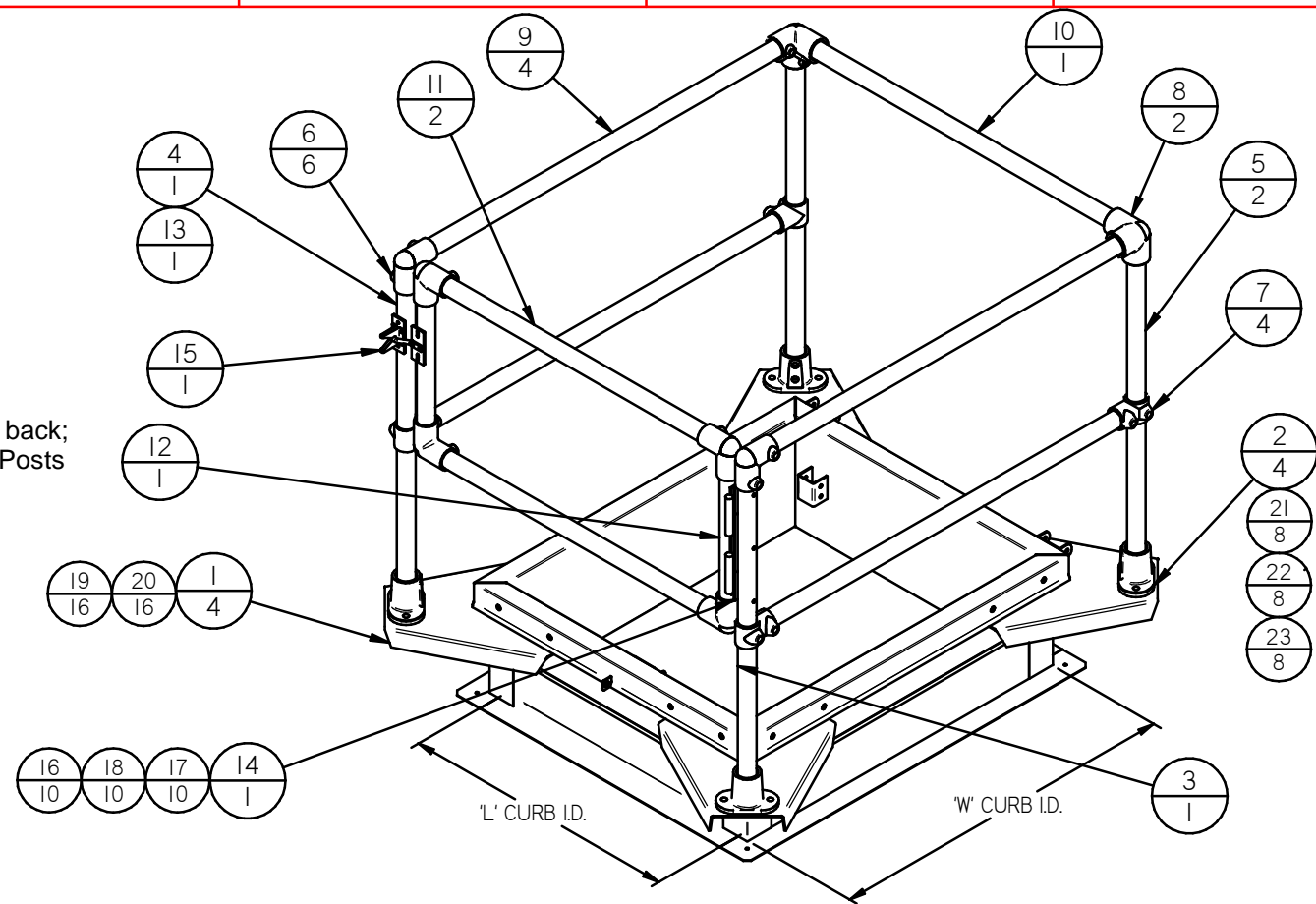
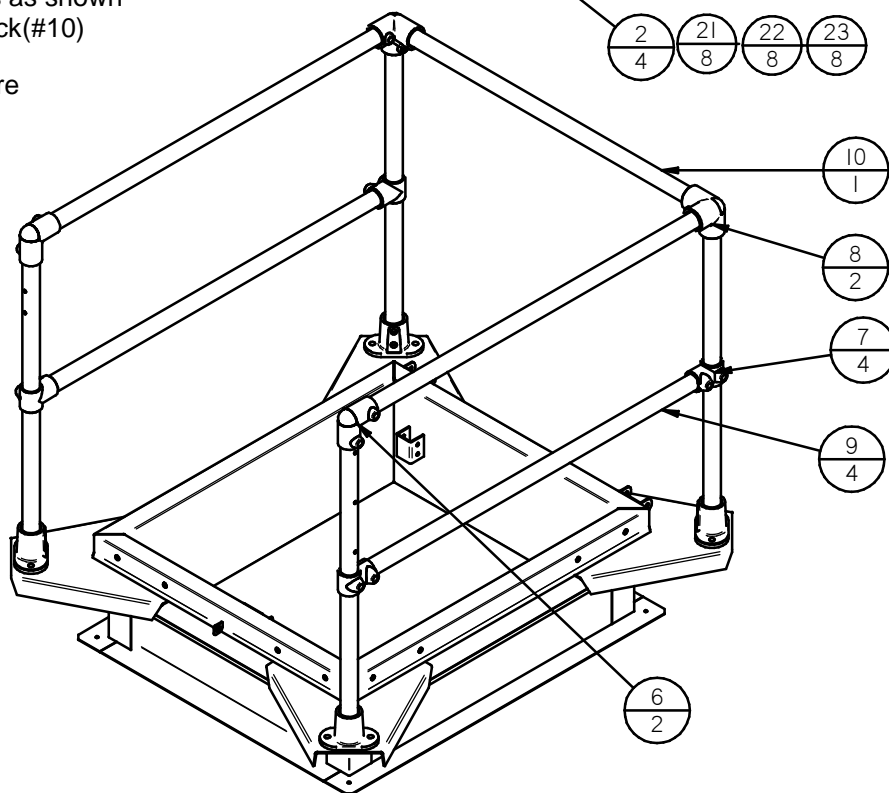
- 6.** Install all Pipe Rails as shown 4x sides(#9), 1x back(#10)

- 7.** Tighten all hardware



- 8.** Install Gate Rails (#11) (#12) (#13) with fittings (#6)

- 9.** Install Hinge Asm (#15) and Latch Asm (#14) to Gate and to Posts using 1/4-2-12 bolts(#16), nuts(#17)& washers (#18)



Item Number	Title	Quantity
1	MOUNTING BRACKET	4
2	RAILING FLANGE	4
3	MOUNTING POST HINGE SIDE	1
4	MOUNTING POST LATCH SIDE	1
5	MOUNTING POST	2
6	ELBOW	6
7	SINGLE SOCKET TEE	4
8	SIDE OUTLET ELBOW	2
9	SAFETY RAIL SIDE "W" +10.250"	4
10	SAFETY RAIL BACK "L" + 10.000"	1
11	GATE HORIZONTAL TUBE "L" + 5.000"	2
12	GATE VERTICAL TUBE HINGE SIDE	1

Item Number	Title	Quantity
13	GATE VERTICAL TUBE LATCH SIDE	1
14	LATCH ASSEMBLY	1
15	HINGE ASSEMBLY	1
16	1/4-20x2-1/4 HEX BOLT	10
17	1/4-20 NYLOCK NUT	10
18	1/4 ROUND WASHER	10
19	3/8-16 X 3/4 HEX BOLT	16
20	3/8 FLAT WASHER	16
21	1/2-13 X 1 1/4 HEX BOLT ZNP	8
22	1/2-13 HEX NUT ZNP	8
23	1/2 LOCK WASHER	8

These are the sole and exclusive property of Nelson Industrial Inc. and the information contained herein may be used only by authorized agents. The use of these drawings for unintended applications, unauthorized alterations performed by third parties - on electronic files or hard copies - as well as disclosure and dissemination of information without prior consent are strictly prohibited and will absolve Nelson Industrial Inc. of any resulting liability.

STANDARD MFG. TOLERANCES ARE:
 UP TO 40" LG +/- .015
 OVER 40" LG +/- .031
 ANGLES: +/- 0.5 DEG.
 HOLES: +/- .003/- .000
 UNLESS OTHERWISE SPECIFIED ON THE DRAWING
 ANGLES NOT DIMENSIONED ARE 90 DEG.

ALL DIMENSIONS SHOWN IN INCHES
 TAKEN FROM OUTSIDE UNLESS
 OTHERWISE SPECIFIED. FORM ALL
 PARTS WITH BURR TO INSIDE.
 BLANK SHOWN BURR SIDE DOWN

PROJECTION: THIRD ANGLE
 DRAWING PATH: J:\drawing files\ROOF HATCH GUARD SYSTEM\SAFETY_RAILS_OSHA\RH-RGS-OSHA-INSTALL-FG.dft

SET BACK: INS. BEND RADIUS: PART NO.:

MATERIAL: SCALE: SHEET SCALE 1:10

DESIGN: E.Judet DATE: 06/09/2018

APPROVED: B. B. DATE:

FINISH: SAFETY YELLOW WEIGHT: 82.776 lbm RELEASE DATE: 08/08/2018

DESCRIPTION: ROOF HATCH GUARD SYSTEM SAFETY RAILS - OSHA -FRONT GATE

ACUDOR PRODUCTS

SIZE: B DWG NO: RH-RGS-OSHA-INSTALL-FG SHEET: 1 of 1 REV: A

NO.	DATE	REVISION
REVISIONS		

8

7

6

5

4

3

2

1