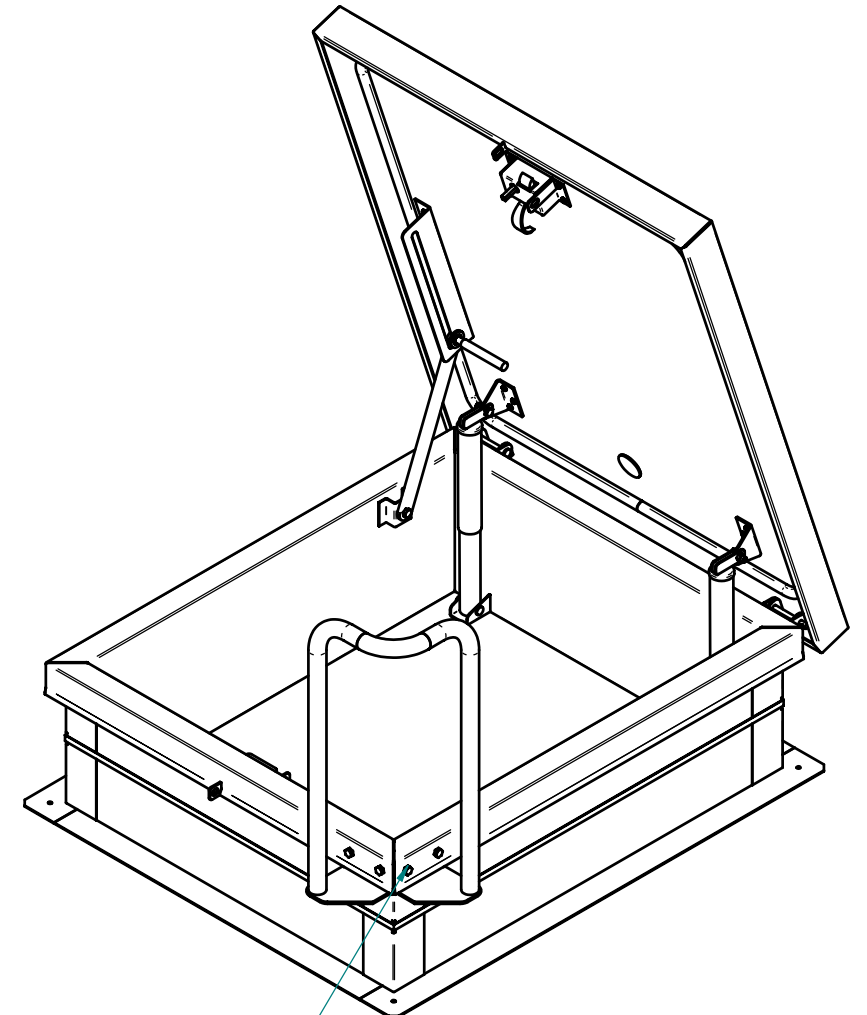
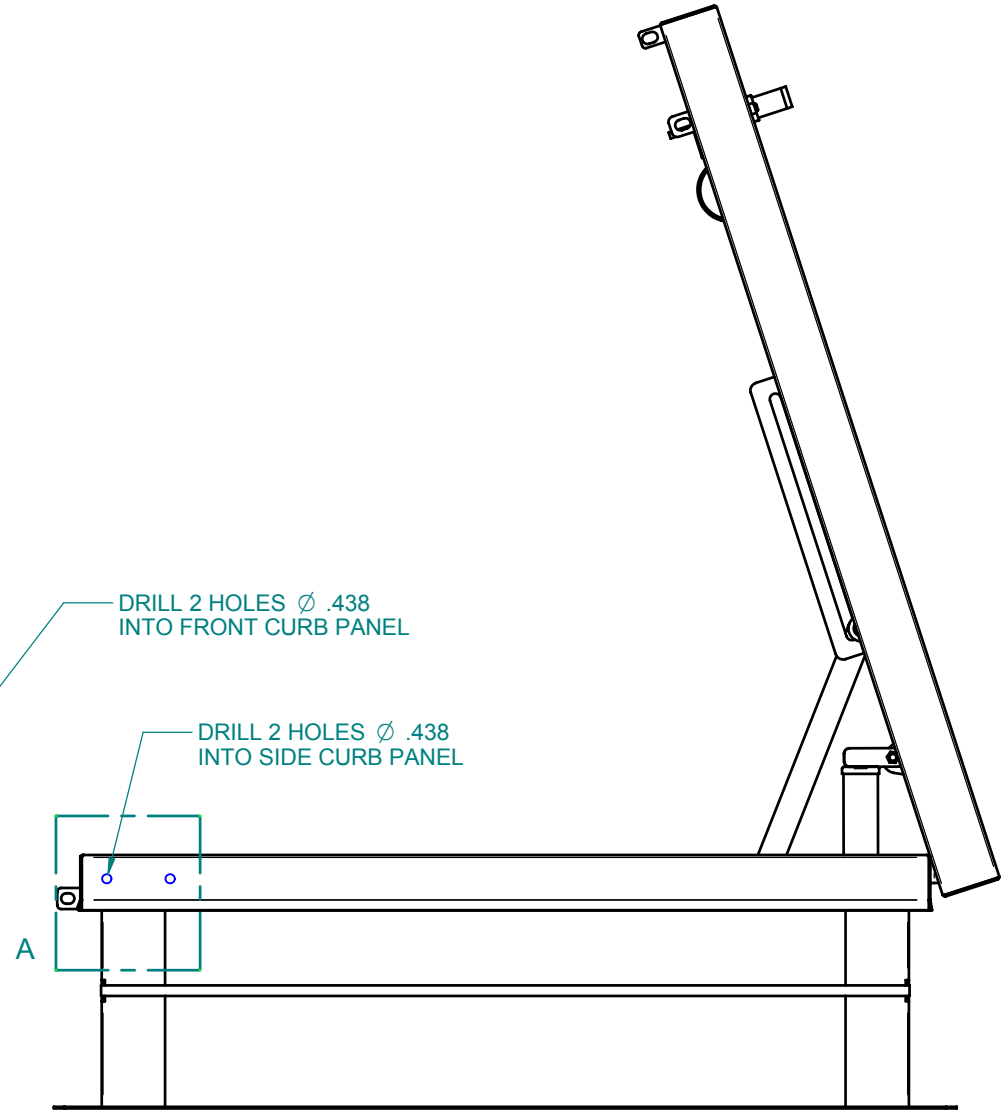
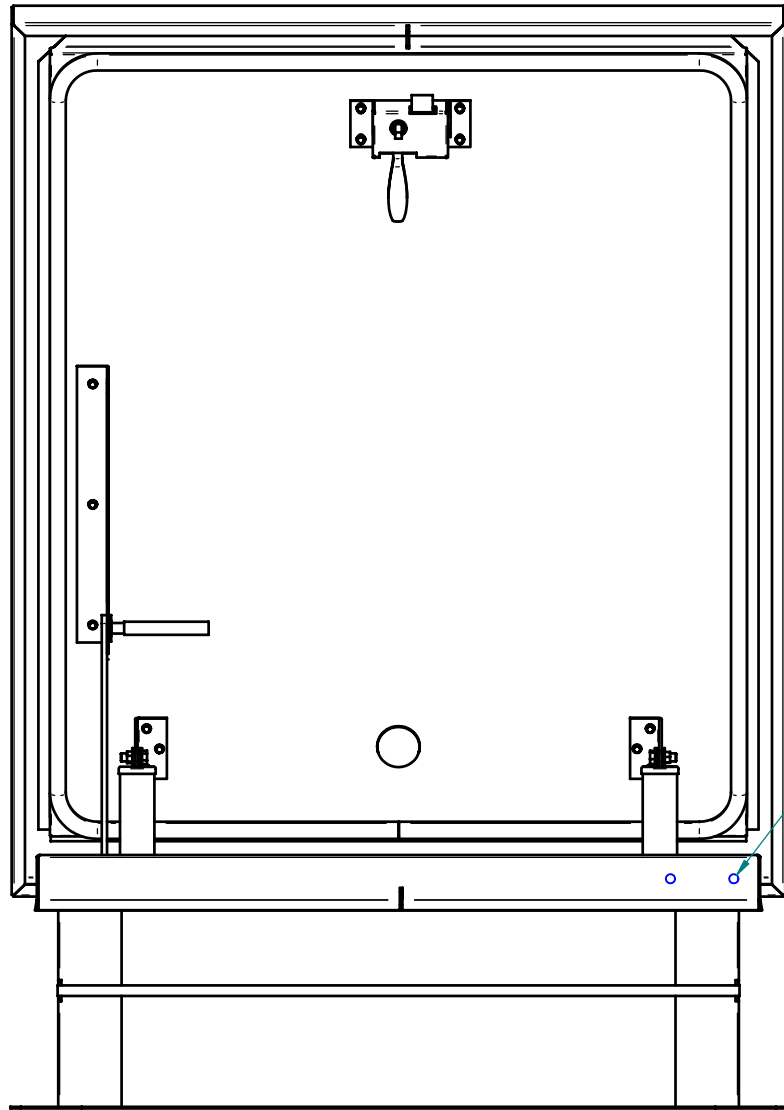


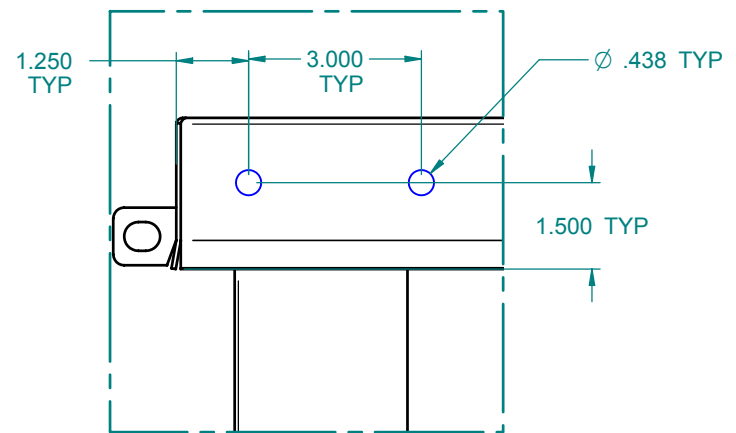
8 7 6 5 4 3 2 1

D
C
B
A

D
C
B
A



3/8"-16 X 1/2"LG HEX BOLTS 4(x)
TO ASSEMBLE SAFETY LADDER
TO ROOF HATCH



DETAIL A (TYPICAL BOTH SIDES)

NO.	DATE	REVISION
REVISIONS		

STANDARD MFG. TOLERANCES ARE UP TO 40" LG +/- .015 OVER 40" LG +/- .031 ANGLES +/- 2.0 DEG UNLESS OTHERWISE SPECIFIED ON THE DRAWING.	SET BACK	INS. BEND RADIUS	PART NO. SLE-Y	DESCRIPTION ROOF HATCHES / SAFETY LADDER EXTENSION INSTALLATION DETAILS
	MATERIAL		DESIGN Elena Judet	DATE JULY 14, 2006
ALL DIMENSIONS SHOWN IN INCHES TAKEN FROM OUTSIDE UNLESS OTHERWISE SPECIFIED. FORM ALL PARTS WITH BURR TO INSIDE. BLANK SHOWN BURR SIDE DOWN	FINISH		APPROVED Brian Yeoman	CUSTOMER
PROJECTION THIRD ANGLE			SIZE D	SCALE
			DWG NO. SLE-Y&RHG-3036	REV
			RELEASE DATE 8/24/2006	SHEET 1 OF 1

8 7 6 5 4 3 2 1