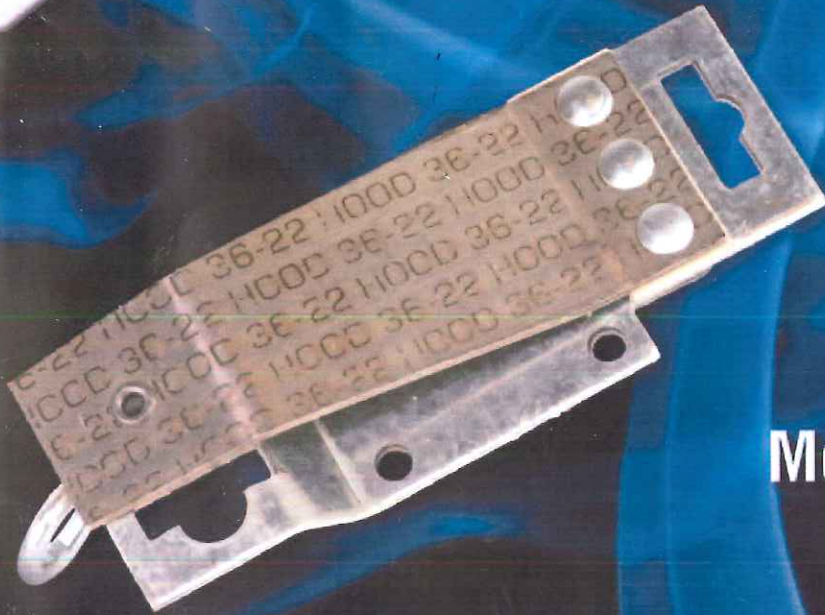


MULTI METER TESTER OHMS

PHLINKS



**Thermal and
Thermal Electric
McCabe® RESETTABLE
Fire Links**



**Technical solutions for
today's fire code authority.**

Technical Reference Manual

McCabe® RESETTABLE Bi-metal Fire Links



The McCabe® Bi-Metal Fire Link:

The McCabe® RESETTABLE Bi-metal Fire Link is a technologically advanced heat releasing device for Fire and Smoke protection applications. Utilizing a unique Bi-Metal configuration, the McCabe® Link is reusable after heat testing.

Key Selling Features:

- Resettable permanent replacement option for Fire Links – saving time and money.
- Fail safe protection for the property you cannot replace (car collections, valuable artwork, computer environments etc.).
- Always resettable after repeated testing - including routine systems cycle or NFPA- required periodic testing for safe functioning operating tests during inspection.
- Depending upon the specific unit, the McCabe® Link can be operated (repeatedly) three ways: Thermal – increase in ambient heat. Manually by pushing on the Bi-metal. Electrically by receiving a signal from smoke and/or fire protection system.
- In Direct Fire (Thermal) operation, the Bi-metal Link can react faster than standard fusible links because the Bi-metal begins to react immediately to any increase in ambient temperature.
- Self-protection link circuitry. The McCabe® Link is “Off” when the standard “S” Hook is disengaged.
- Nuisance tripping is reduced by delayed operation (15-45 seconds vs. UL standard of 1 minute) due to the unique properties of the bi-metal.
- You only need one McCabe® Link per application. It can be operated repeatedly - just manually click to reset it.
- All units are UL 33 approved.
- Corrosion resistant Bi-metal, zinc coated steel and encased parts.
- Can be used on all types of Smoke Vents, Doors, Smoke Hatches, Foam & Chemical Release Systems and other applications.
- Shelf life is virtually unlimited allowing local stocking for faster deliveries.
- The McCabe® RESETTABLE Bi-metal Fire Link is environmentally friendly because it's RESETTABLE vs. disposable.
- Can be used in conjunction with control activation units – assuring activation in case of power failure.
- Can install up to 4 units in parallel (must set up zones for additional units).

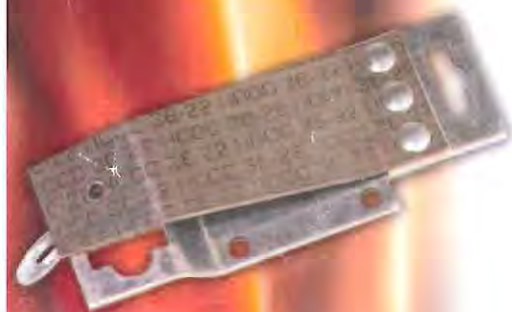


E5720H-165-24

Enlarged view
of 's' hook reset



E5734H-285-120



5720-165



McCabe® Link Operating Options:

Thermal or Electric Thermal units are available. The Thermal Electric units are available in the 24V AC/DC or 120V power supply requirements.

Numerous applications for The McCabe® Bi-metal Fire Link:

There are many different models designed to meet various applications.

- Fire Doors
- Skylights
- Fire Extinguishing Systems
- Approved Military Installations
- Smoke Vents
- Ventilation Hatches
- Range Hoods
- Fire and Smoke Curtains
- Roof Hatches
- Nuclear Facilities (approved by NRC)

Thermal Electric McCabe® RESETTABLE Bi-metal Fire Links

Link with 55 Watt Electric Heater - 'S' Hook reset.

*UL Pending

Item #	Voltage	Temp.	Delay Before Release	Delay Before Reset	Load Rating UL33	Power Requirements	Dimensions (L x W x H)
E5720H-165-24	24V	165° F	30 sec.	60 sec.	1-25 lbs.	24V AC/DC (2.3 Amps)	3 1/2" x 2" x 1"
E5720H-165-120	120V	165° F	30 sec.	60 sec.	1-25 lbs.	115V AC/DC (.46 Amps)	3 1/2" x 2" x 1"
E5730H-212-24	24V	212° F	30 sec.	60 sec.	1-25 lbs.	24V AC/DC (2.3 Amps)	3 1/2" x 2" x 1"
E5730H-212-120	120V	212° F	30 sec.	60 sec.	1-25 lbs.	115V AC/DC (.46 Amps)	3 1/2" x 2" x 1"
E5734H-285-24*	24V	285° F	30 sec.	60 sec.	1-25 lbs.	24V AC/DC (2.3 Amps)	3 1/2" x 2" x 1"
E5734H-285-120*	120V	285° F	30 sec.	60 sec.	1-25 lbs.	115V AC/DC (.46 Amps)	3 1/2" x 2" x 1"

Thermal McCabe® RESETTABLE Bi-metal Fire Links with Universal Link Base

Bi-metal link on universal base.

Item #	Link Type	Temp.	Load Rating UL33	Dimensions (L x W x H)
5720-165	Universal Link Base 'S' Hook reset	165° F	1-25 lbs.	3 1/4" x 1 1/4" x 5/8"
5730-212	Universal Link Base 'S' Hook reset	212° F	1-25 lbs.	3 1/4" x 1 1/4" x 5/8"
5734-285	Universal Link Base 'S' Hook reset	285° F	1-25 lbs.	3 1/4" x 1 1/4" x 5/8"
5740-370	Universal Link Base 'S' Hook reset	370° F	1-15 lbs.	3 1/4" x 1 1/4" x 5/8"

**Additional information, MSDA Sheets, and Installation instructions
available on-line at www.phlinc.com**



"The McCABE LINK"®

MODELS E5720H, E5730H & E5734H

ELECTRIC THERMAL MANUAL "S" HOOK RESET UL Pending
(Fire heat closure -- The real fail safe need.)



Underwriters Laboratories Listed Releasing Device R-7113
Bi-Metal Link meets all requirements under UL Standard No. 33
Also meets new UL cycle testing requirements for Resettable Link R-7569
Basic Links Franklin Institute & Wyle Labs Seismic & Fragility Tested

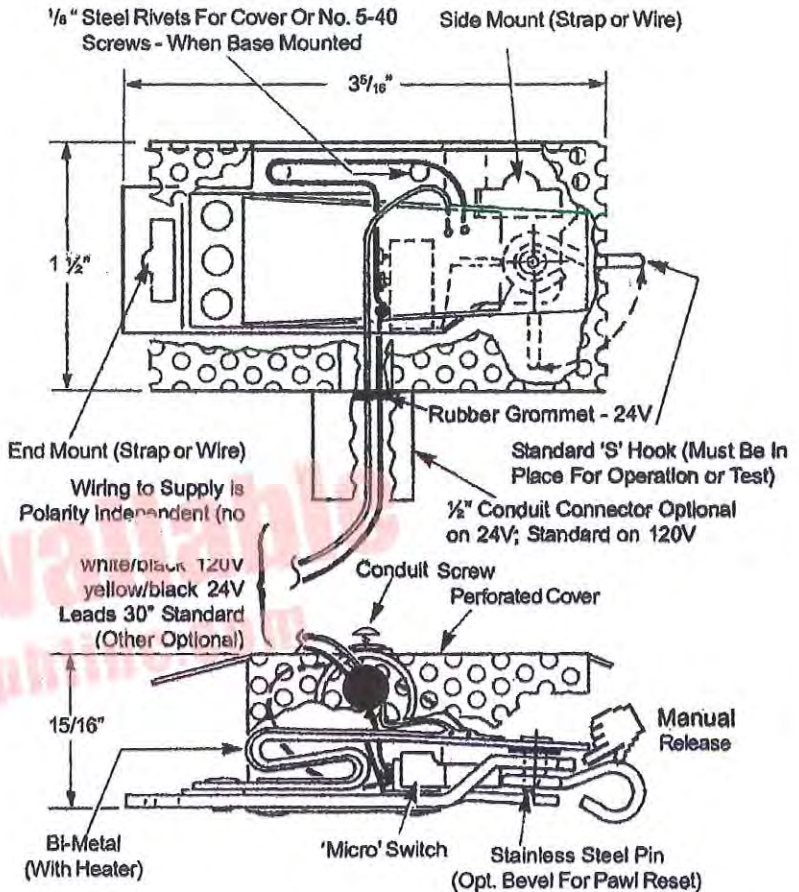
FEATURES:

1. Permanent-Resettable repeatedly after testing including routine systems cycle testing for safe functioning operating tests with inspection.
2. Can be operated (repeatedly) three ways: (1) Heat, (2) Manually, (3) Electrically.
3. Nuisance tripping reduced by delayed operation (15-45 seconds Std. - 1 Min. is UL Std. Max.)
4. Self protection link circuitry - link is 'Off' when 'S' Hook is out -- so do NOT test without 'S'-hook engaged.
5. Corrosion resistant stainless steel, plated or encased parts.
6. Positive mechanical operation
7. In direct fire (Thermal) operation the Bi-Metal Link is three times faster acting than UL maximum standard for fusible links.
8. Battery operation possible.
9. Can be used on all types of Smoke Curtains, Smoke Vents, Doors, Smoke Hatches, Foam & Chemical Release Systems & other applications.

12. All models fail safe in fire. Power failure, fail safe, requires optional battery backup if dictated or to an engineered specification.

NOTES:

1. Pin releases standard 'S' Hook (or other means) on signal (Heat or Electric) or Manually, and returns in ambient air automatically to the normal position for resetting.
2. 115 or 24 Volt AC/DC (Specify voltage)
3. Use Electric or Manual release for usual test operation.
4. Indirect exposure to fast moving cold air time-to-operate may vary. Positioning or deflector will adjust.



Loads to the Link must be held within UL requirements. However, with the use of devices such as levers or positioning, or as a UL operation tested in specific apparatus;

POWER REQUIRED AT 55 WATTS FOR LESS THAN 30 SECONDS	
VOLTS	AMPS
24 V AC/DC	2.3
115V AC	.46

UL Pending

MODEL	TEMPERATURE	LOAD	
		END MOUNT	SIDE MOUNT
E5720H	165°F	25 LBS. MAX.	5 LBS. MAX.
E5730H	212°F	25 LBS. MAX.	8 LBS. MAX.
E5734H	285°F	25 LBS. MAX.	8 LBS. MAX.

Resettable Fire Link

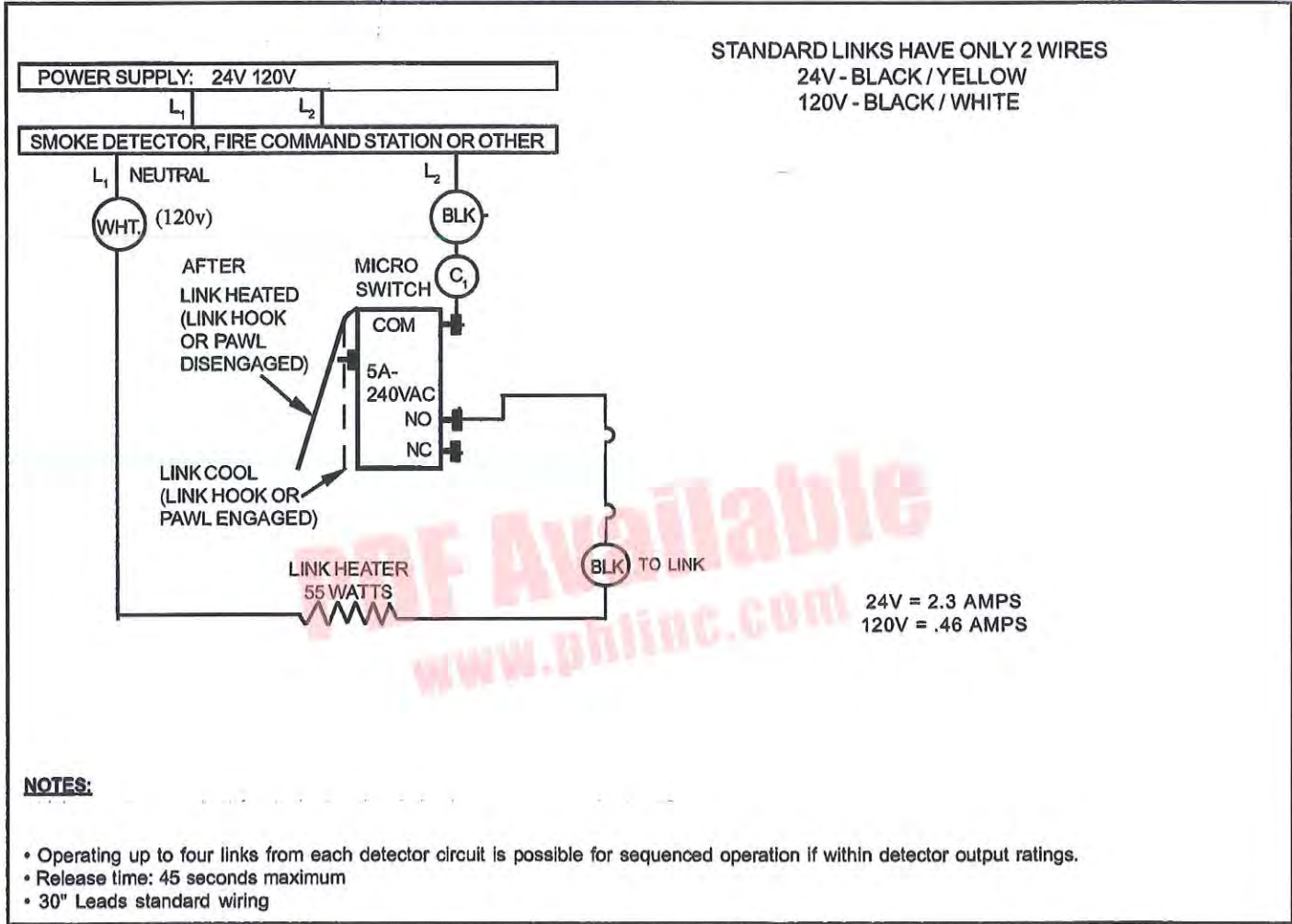
"ACTUAL FIRE OPERATES THE SAME LINK YOU TESTED"

Always consult pertinent standards and local building authorities for installation requirements.



SUPPLEMENTARY PRODUCT INFORMATION
“The McCABE LINK”
MODELS E57XXH

Electric Operation With Standard Wiring



NOTES:

- Operating up to four links from each detector circuit is possible for sequenced operation if within detector output ratings.
- Release time: 45 seconds maximum
- 30" Leads standard wiring

Always consult pertinent standards and local building authorities for installation requirements.



The McCabe® Bi-metal Fire Link *Warranty*

All McCabe® RESETTABLE Bi-metal Fire Links are warranted to be free of defects in material and workmanship for a period of one year from receipt of product. Any McCabe® RESETTABLE Bi-metal Fire Link found to be defective within this warranty period should be returned for examination, freight prepaid, to PHL Links, LLC, 1700 N Throop Street, Chicago, IL 60622. Please call PHL Links toll free number for a RETURN AUTHORIZATION NUMBER (RA#), 888 745 2335. PHL Links WILL NOT accept any returns without an RA#. Upon examination, PHL Links will either repair or replace the defective unit. Any alterations to original McCabe® RESETTABLE Bi-metal Fire Link units will void the Warranty.



PDF Available
www.phlinc.com