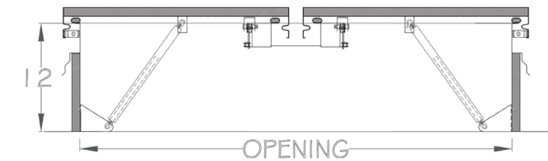
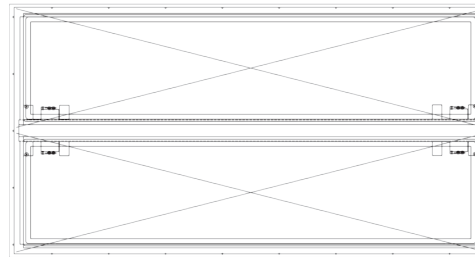
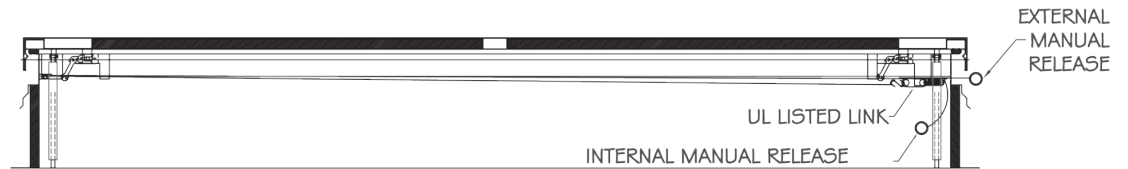
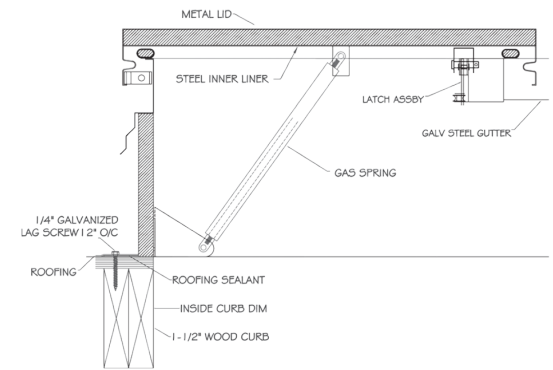
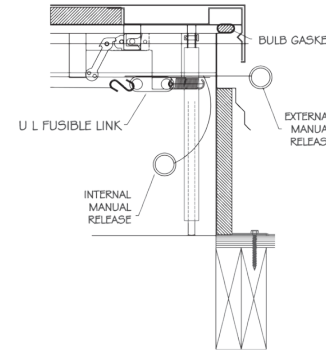
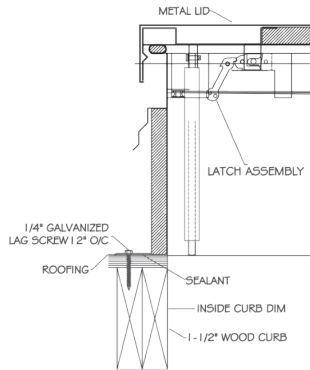
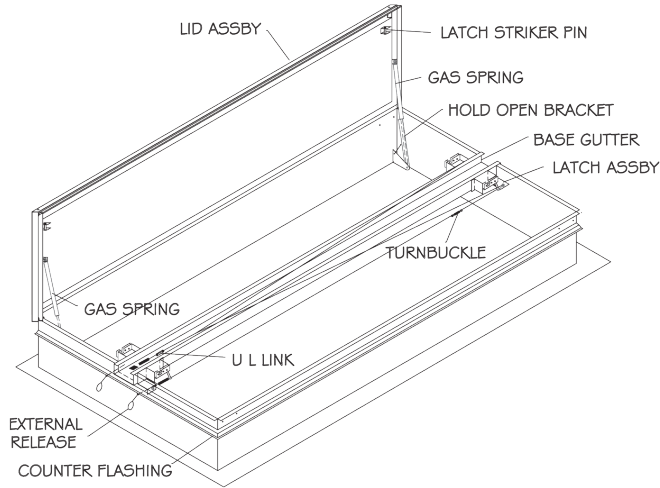




(Address 1) 80 Little Falls Rd. Fairfield NJ 07004 USA  
 (Address 2) 4216 N. Pecos Rd, Ste. 104 Las Vegas, NV 89115  
 Tel: 800-722-0501 Fax: (973)575-5160  
 www.acudor.com email: info@acudor.com

QTY	OPENING WIDTH "W"	OPENING LENGTH "L"	QTY	OPENING WIDTH "W"	OPENING LENGTH "L"
	48" (1219mm)	48" (1219mm)		60" (1524mm)	60" (1524mm)
	48" (1219mm)	72" (1829mm)		60" (1524mm)	72" (1829mm)
	48" (1219mm)	90" (2286mm)		60" (1524mm)	90" (2286mm)
	48" (1219mm)	96" (2286mm)		60" (1524mm)	96" (2438mm)

## UL LISTED SMOKE VENT, GALVANIZED



### SPECIFICATIONS:

- Fully Welded & Assembled Curb 18 gauge G90 Steel
- 4" x 4" x 3/16" Galvanized Steel OSHA Compliant Safety Screen Option
- Base options include self flashing, curb mount and metal building
- 1" Rigid Insulation R7.2
- Full perimeter EPDM bulb gaskets
- Lids open against a 10 PSF live load
- Lid uplift rating 30 PSF
- Hinges and latches 12 gauge galvanized steel
- Latches rated for 90 PSF uplift
- UL listed fusible or McCabe resettable links
- Inside and outside manual releases
- High performance gas springs with hold open

For more information contact:  
 866-966-9596  
 www.Hallmann-Sales.com  
 info@hallmann-sales.com

JOB NAME:

APPROVED BY:

CUSTOMER:

DATE:

COPYRIGHT © 2015 ACUDOR ACCESS DOORS AND ACUDOR PRODUCTS INC. ALL RIGHTS RESERVED